

Scales & Balances
Básculas & Balanzas
Waagen
Systèmes de Pesage

Bilancia Pesa
Весы
秤 & 天平
はかり



the year of 2012



ANIMAL SCALES

HIWEIGH®



WWW.HIWEIGH.COM

About HIWEIGH

HIWEIGH, a manufacturer and supplier specialized in weighing products, we have devoted ourself to the development and improvement of weighing technology and system for more than 10 years, who also take the swiftest result of the weighing process and the highest precision of weighing result as their target for every weighing solution they supply!



With this catalogue, you can find all solutions for animal and livestock scales from 30-3000Kg capacity, from steel platforms to stainless steel or galvanized platforms for all animals and pets....


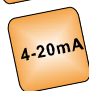






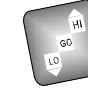






Enjoy your weighing!

Address: No.2278,Zhaotai Road, Minhang District, Shanghai
 Tel: 0086-21-24281404 Fax: 0086-21-24281385
 Email: hiweigh@gmail.com hiweigh@hotmail.com
www.hiweigh.com



Contact Us

Symbols

-  Totalization/Accumulation
-  4-20mA Analogue Output
-  Tare Function
-  A.C/D.C Power Supply
-  Red LED Display
-  Green LED Display
-  LCD Display
-  Multi-units Exchange
-  Counting Function
-  Checkweigh Function
-  Below Weighing
-  Wash Down
-  Built-In Battery
-  RS-232 Interface
-  GLP/ISO Print Output
-  Clock
-  Percentage Weigh
-  Internal Calibration
-  External Calibration
-  Dynamic/Animal Weigh
-  Backlight

Since 1998

Legal Notice

HIWEIGH[®]

is the registered brand logo by the owner of Hiweigh Technologies Limited and Shanghai Scales & Accessories factory, it's the main brand for their industrial and commercial scales and other weighing products, it insists of two weights instead of letter l in the HI + WEIGH which shows clearly what products we are making, for any inquiry or distribution of the HIWEIGH products, please send the mail to hiweigh@gmail.com or hiweigh@hotmail.com



JoyScale[®]

is another registered brand logo by the owner of Hiweigh Technologies Limited and Shanghai Scales & Accessories factory, it's the main brand for their medical and other small scales, it insists of JOY+SCALE which shows the enjoyment brings to customers with our scales, for any inquiry or distribution of the JOYSCALE products, please send the enquiry to hiweigh@gmail.com or hiweigh@hotmail.com

OEM
ODM

OEM/ODM cooperation is welcome.

For other brands used in our catalogues or website (www.hiweigh.com), such as Bluetooth (Brand, Logo, Picture) all belong to Bluetooth SIG, we believe that our supplier of our bluetooth device for our indicators and scales already got authorities from Bluetooth SIG as they are the legal company for this device in China, Acrobat Reader (Brand, Logo, Picture and all others) all belong to Adobe Systems Incorporated. For other concerning brand, if not specified marks, it belongs to the owner or the company who registered or owned it completely, if any info in our catalogue or website not correct or wrong, please send mail to hiweigh@gmail.com for modifying or deleting, thanks.



All copyrights of photos and pictures and other info in the website (www.hiweigh.com) and catalogues (this and all others) are belong to Hiweigh Technologies Limited and Shanghai Scales & Accessories Factory completely, if any copy or use of the photos or other info in the website or catalogue, it must got our authorities by sending the mail to hiweigh@gmail.com or hiweigh@hotmail.com or call us at 0086-21-24281404 or fax to 0086-21-24281385, any using or coping without our agree will bring the lawsuit possibility or other risks



For all other legal consultancy or question, please send the email to our lawyer: Mr.Zhu at zhch316@126.com or call at 0086-13962683621 with the office address at Rm601, Building C, No. 177, Middle Changjiang Road, Kushan, Jiangsu.

Since 1998

CONTENTS



AB ABS ABZ AB-H

AB ABS ABZ: Standard Load Bars
AB-H: Heavy Duty Load Bars

1...4



AV(S) AQ AH

AV(S): Smart Livestock Weighing Crate
AQ: Standard Livestock Weighing Crate
AH: Big Capacity Weighing Crate

5...6



AP

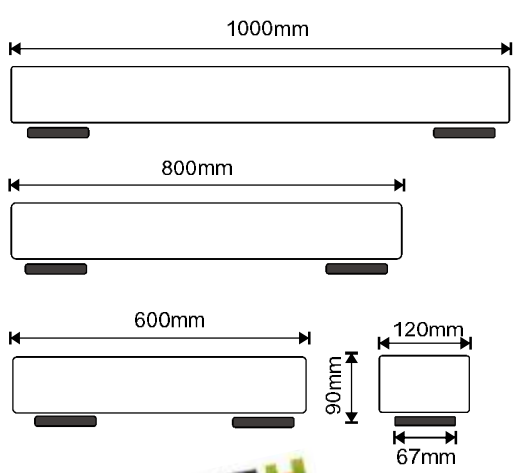
AP: Pet Scale

7...8



MODEL	SIZE(mm)	LOAD CELL	CAPACITY (Kg)	DIVISION
AB600	600mm	H8C	500-3000Kg	1/3000
AB800	800mm	H8C	500-3000Kg	1/3000
AB1000	1000mm	H8C	500-3000Kg	1/3000

Sizes



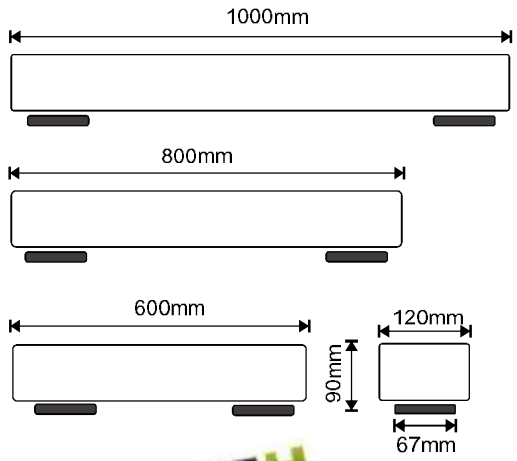
Specifications

- ◆ Capacity: 500Kg-3000Kg
- ◆ Size: 1m/0.8m/0.6m (1.2/1.25m available)
- ◆ With adjusting foot, heavy duty design
- ◆ 4pcs OIML/NTEP approved H8C load cells
- ◆ With handle on side, easily for movement
- ◆ Powder coating process



Sizes

MODEL	SIZE(mm)	LOAD CELL	CAPACITY (Kg)	DIVISION
ABS600	600mm	B8D	500-3000Kg	1/3000
ABS800	800mm	B8D	500-3000Kg	1/3000
ABS1000	1000mm	B8D	500-3000Kg	1/3000



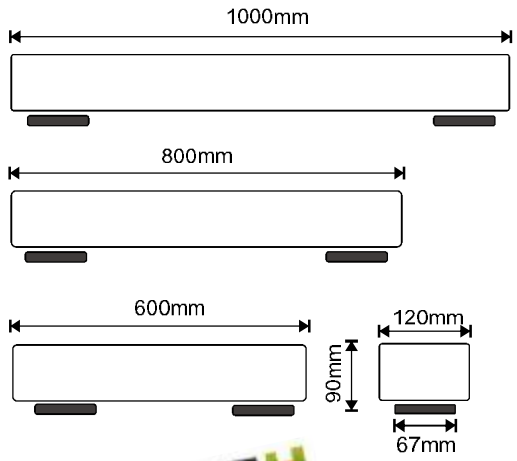
Specifications

- ◆ Capacity: 500Kg-3000Kg
- ◆ Size: 1m/0.8m/0.6m (1.2/1.25m available)
- ◆ With adjusting foot, heavy duty design
- ◆ 4pcs OIML/NTEP approved S.S B8D load cells
- ◆ With handle on side, easily for movement
- ◆ Completely 304# stainless steel material



Sizes

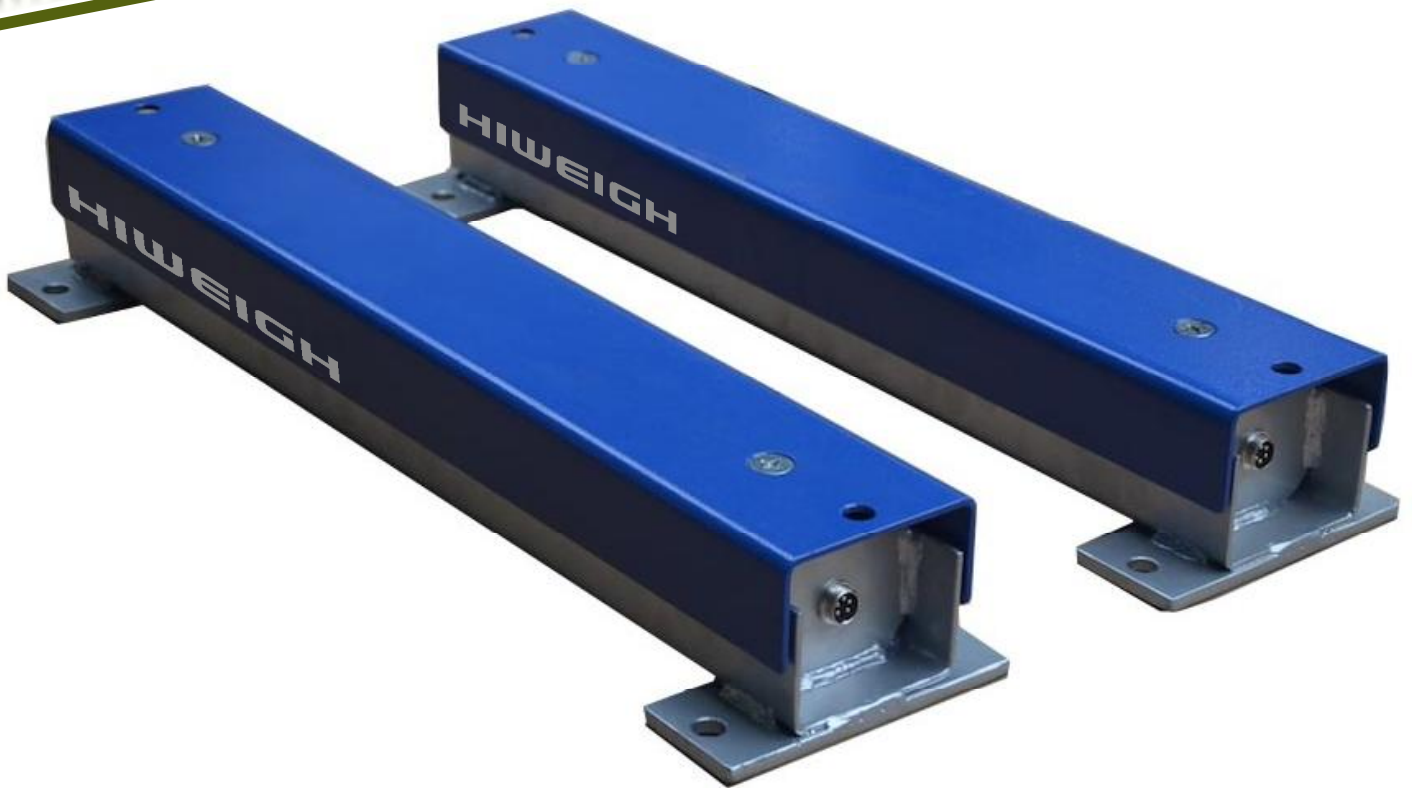
MODEL	SIZE(mm)	LOAD CELL	CAPACITY (Kg)	DIVISION
ABZ600	600mm	H8C	500-3000Kg	1/3000
ABZ800	800mm	H8C	500-3000Kg	1/3000
ABZ1000	1000mm	H8C	500-3000Kg	1/3000



Specifications

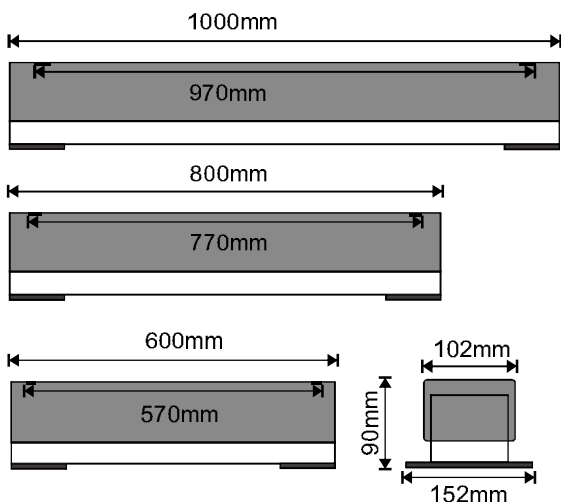
- ◆ Capacity: 500Kg-3000Kg
- ◆ Size: 1m/0.8m/0.6m (1.2/1.25m available)
- ◆ With adjusting foot, heavy duty design
- ◆ 4pcs OIML/NTEP approved H8C load cells
- ◆ With handle on side, easily for movement
- ◆ Galvanized process

HIWEIGH®



Sizes

MODEL	SIZE(mm)	LOAD CELL	CAPACITY (Kg)	DIVISION
ABH600	600mm	H8C	500-3000Kg	1/3000
ABH800	800mm	H8C	500-3000Kg	1/3000
ABH1000	1000mm	H8C	500-3000Kg	1/3000
ABHS600	800mm	B8D	500-3000Kg	1/3000
ABHS800	1000mm	B8D	500-3000Kg	1/3000
ABHS1000	800mm	B8D	500-3000Kg	1/3000



Specifications

- ◆ Capacity: 500Kg-3000Kg
- ◆ Size: 1m/0.8m/0.6m (1.2/1.25m available)
- ◆ With Fixing plate, heavy duty design
- ◆ With fixing hole for animal crate
- ◆ 4pcs OIML/NTEP approved H8C load cells
- ◆ Complete stainless steel is available
- ◆ Galvanized process also available
- ◆ AB-H-S (S.S) with OIML S.S B8D load cells

HIWEIGH

www.hiweigh.com Email: hiweigh@gmail.com hiweigh@hotmail.com
 Tel:0086-21-24281404 Fax:0086-21-24281385
 Add: No.2278, Zhaotai Road, Minhang District, Shanghai 201112, China



Easy open & close

MODEL	SIZE(mm)	LOAD CELL	CAPACITY (Kg)	DIVISION
AV1358	1300x580	H8C	500-1500Kg	1/3000
AV1378	1300x780	H8C	500-1500Kg	1/3000
AV1398	1300x980	H8C	500-1500Kg	1/3000
AVS1358	1300x580	B8D	500-1500Kg	1/3000
AVS1378	1300x780	B8D	500-1500Kg	1/3000
AVS1398	1300x980	B8D	500-1500Kg	1/3000

Specifications

- ◆ Capacity: 300-1500Kg (500-3000lb)
 - ◆ Powder coated process (stainless steel available-AVS model)
 - ◆ Size: 1.3x0.6m/0.8m/1.0m
 - ◆ With four sliding doors
 - ◆ Open four doors in one side
- ◆ With load bars channel (optional)
- ◆ With 4 OIML/NTEP H8C load cells (AVS with B8D load cells)
- ◆ Perfect for sheep and others



Specifications

- ◆ Capacity: 300-1500Kg (500-3000lb)
 - ◆ Powder coated process
 - ◆ Size: 1.0/1.2/1.5m/1.2/1.5/2.0m
 - ◆ With In&Out doors
 - ◆ Easy-close door
 - ◆ 1m fence
- ◆ With 4 OIML/NTEP H8C load cells
- ◆ Perfect for pig and others

MODEL	SIZE(mm)	LOAD CELL	CAPACITY (Kg)	DIVISION
AQ1012	1000x1200	H8C	500-1500Kg	1/3000
AQ1212	1200x1200	H8C	500-1500Kg	1/3000
AQ1215	1200x1500	H8C	500-1500Kg	1/3000
AQ1515	1500x1500	H8C	500-1500Kg	1/3000
AQ1520	1500x2000	H8C	500-1500Kg	1/3000



Specifications

- ◆ Capacity: 300-1500Kg (500-3000lb)
- ◆ Powder coated process
- ◆ Size: 0.8/1.0/1.2/1.5 x 0.8/1.0/1.2/1.5/2.0m
- ◆ With Up-assembling load cells (Avoiding of erosion from excretion of animals)
- ◆ Galvanized protecting plate
- ◆ 1m fence
- ◆ With 4 OIML/NTEP H8C load cells
- ◆ Perfect for all livestocks

MODEL	SIZE(mm)	LOAD CELL	CAPACITY (Kg)	DIVISION
AH0808	800x800	H8C	600-1000Kg	1/3000
AH1012	1000x1200	H8C	600-1000Kg	1/3000
AH1215	1200x1500	H8C	600-1000Kg	1/3000
AH1515	1500x1500	H8C	600-1000Kg	1/3000
AH1520	1500x2000	H8C	2000Kg	1/3000



Specifications

- ◆ Capacity: 30-300Kg (50-600lb)
- ◆ With handle and wheel for easily movement
- ◆ Size: 550x550mm/550x900mm
- ◆ With X2 indicator, Kg/lb unit, big LCD display
- ◆ With stainless steel cover and anti-slip mat
- ◆ Perfect for veterinary and animal center or hospitals

MODEL	SIZE(mm)	CAPACITY (Kg)	DIVISION
AP550	550x550	30-300Kg	1/3000
AP590	550x900	30-300Kg	1/3000

www.hiweigh.com Email: hiweigh@gmail.com hiweigh@hotmail.com
 Tel: 0086-21-24281404 Fax: 0086-21-24281385
 Add: No.2278, Zhaotai Road, Minhang District, Shanghai 201112, China

Scales & Balances
Básculas & Balanzas
Waagen
Systèmes de Pesage

Bilancia Pesa
Весы
秤 & 天平
はかり



HIWEIGH®
HIWEIGH

Thanks for reading our catalogue, for more products, please log on to
www.hiweigh.com

www.hiweigh.com hiweigh@gmail.com hiweigh@hotmail.com