

CRANE SCALE

1...20Ton

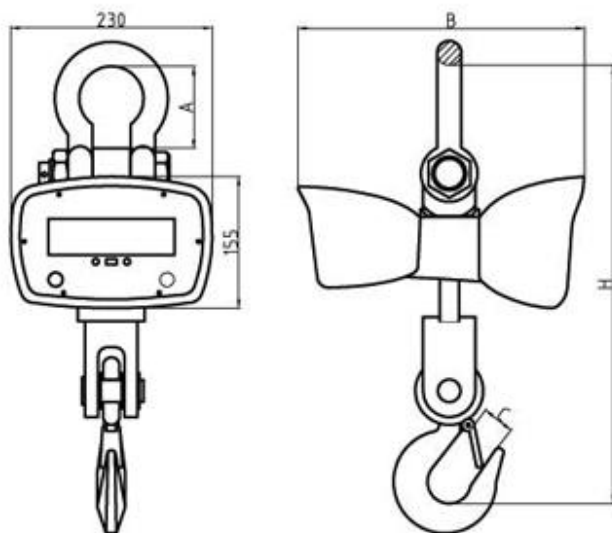
Functions

- ◆Multi-weighing units: Kg, lb, N are selectable, generally kg is the default unit.
- ◆Multi-function operation: Tare, Zero, Auto zero tracking, Total, Hold; Overload warning and record, Operate through remote controller, etc
- ◆User-friendly design: Cast aluminum housing for maximum protection; Large red 5 digit LED display (digit height 30mm); Battery Operated with low battery indication; Automatic turn off , power-saving function.

CSB



Dimensions



Capacity	A(mm)	B(mm)	C(mm)	H(mm)	N.W.(Kg)
1000Kg	67	350	33	450	13.5
2000Kg	95	350	33	450	13.5
3000Kg	113	350	40	510	17
5000Kg	122	365	50	625	26
10000Kg	144	365	60	760	40
15000Kg	166	365	70	835	55
20000Kg	188	365	85	900	68

MODEL	CAPACITY (Kg)	DMSION(Kg)	Min WEIGH (Kg)	RESOLUTION
CSB1000	1000	0.5	10	1/2000
CSB2000	2000	1	20	1/2000
CSB3000	3000	1	20	1/3000
CSB5000	5000	2	40	1/2500
CSB10000	10000	5	100	1/2000
CSB15000	15000	5	100	1/3000
CSB20000	20000	10	200	1/2000