

CRANE SCALE

50...1000Kg

Functions

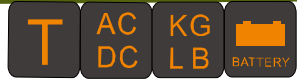
◆ **Multi-function operation:**

- Tare, Zero, Auto zero tracking, Total, Hold
- Overload warning & record
- Remote control operation
- Big bright LED display
- Kg/Lb/N unit exchange

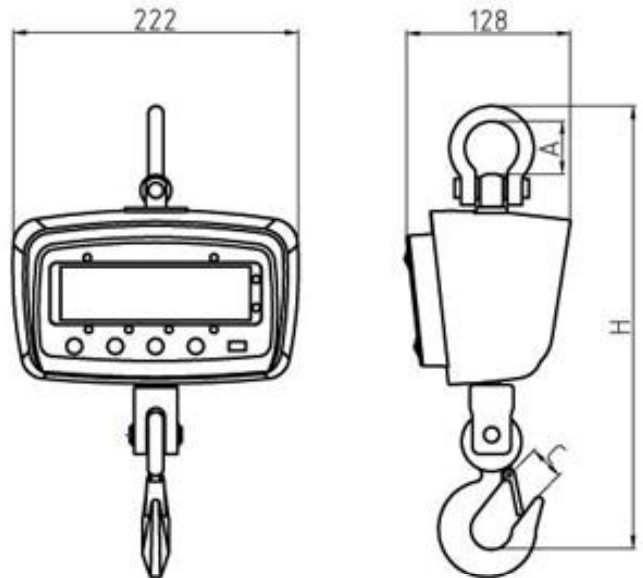
◆ **User-friendly design:**

- Aluminum housing
- high-tension shackle and hook
- Automatic power off

CSE



Dimensions



MODEL	A(mm)	C(mm)	H(mm)	N.W.(Kg)
CSE50-300	33	24	320	4
CSE500/1000	41	25	345	4.2

MODEL	CAPACITY (Kg)	DMSION(g)	MinWEIGH(Kg)	RESOLUTION
CSE50	50	20	0.4	1/2500
CSE100	100	50	1	1/2000
CSE200	200	100	2	1/2000
CSE300	300	100	2	1/3000
CSE500	500	200	4	1/2500
CSE1000	1000	500	10	1/2000