

# CRANE SCALE

## 1..5Ton

### Functions

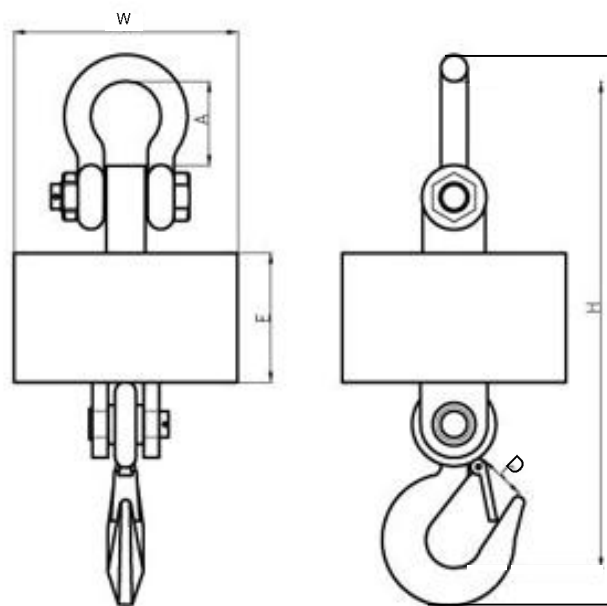
◆ **Multi-function operation:**

- Tare, Zero, Auto zero tracking, Total, Hold
- Overload warning & record
- Remote control operation
- bright LED display
- Kg/Lb unit exchange

◆ **User-friendly design:**

- Stainless steel housing
- high-tension shackle and hook
- RS232 optional
- Wireless display optional
- Bluetooth optional

### Dimensions



MODEL	A(mm)	D(mm)	E(mm)	W(mm)	H(mm)
CSIB1000	71	41	125	175	420
CSIB2000	71	41	125	175	420
CSIB3000	71	41	125	175	420
CSIB5000	84	53	125	175	475

MODEL	CAPACITY (Kg)	DIMSION(Kg)	Min WEIGH (Kg)	RESOLUTION
CSIB1000	1000	0.5	10	1/2000
CSIB2000	2000	1	20	1/2000
CSIB3000	3000	1	20	1/3000
CSIB5000	5000	2	40	1/2500