

CRANE SCALE

30/50Ton

Functions

◆Multi-weighing units:
Kg, lb, N are selectable, generally kg is the default unit.

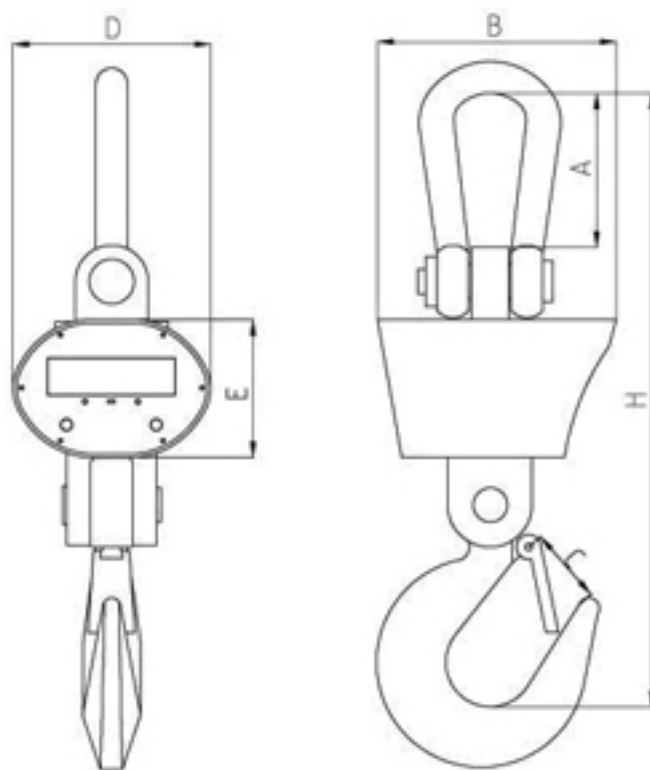
◆Multi-function operation:
Tare, Zero, Auto zero tracking, Total, Hold;
Overload warning and record,
Operate through remote controller, etc

◆User-friendly design:
Cast alloy housing for maximum protection;
Large red 5 digit LED display (digit height 30mm);
Battery Operated with low battery indication;
Automatic turn off , power-saving function.

CSZ



Dimensions



Capacity	A(mm)	B(mm)	C(mm)	D(mm)	E(mm)	H(mm)	N.W.(Kg)
30000Kg	295	460	125	380	260	1140	165
50000Kg	360	660	180	490	340	1680	480

MODEL	CAPACITY (Kg)	DIVISION(Kg)	Min WEIGH (Kg)	RESOLUTION
CSZ30000	30000	10	200	3000
CSZ50000	50000	20	400	2500