

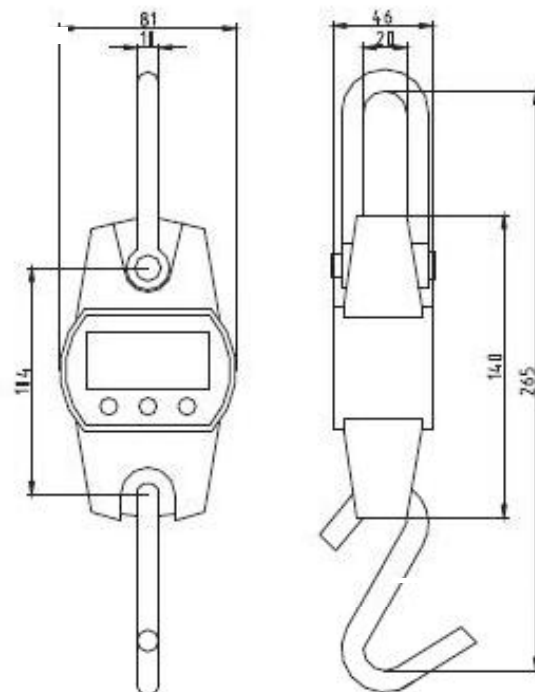
# CRANE SCALE

## 30...300Kg

### Functions

- ◆ Die-casting aluminum enclosure
  - ◆ 20mm LCD display
  - ◆ Stainless steel shackle
  - ◆ Stainless steel hook
  - ◆ AA x 3 Battery
- ◆ Water-proof panel button
  - ◆ Various color available
  - ◆ Capacity: 30kg-300kg
  - ◆ Zero/Tare
  - ◆ Hold
- ◆ Low Voltage Auto Power-off
  - ◆ Overload Alarm
  - ◆ kg/lb/N Conversion

### Dimensions



MODEL	CAPACITY (Kg)	DIMSION(Kg)	Min WEIGH (Kg)	RESOLUTION
CX30	30Kg/60Lb	0.01kg/0.02lb	0.2kg/0.4lb	1/3000
CX60	60Kg/120Lb	0.02kg/0.05lb	0.4kg/0.8lb	1/3000
CX120	120Kg/240Lb	0.05kg/0.1lb	1kg/2lb	1/2400
CX200	200Kg/400Lb	0.1kg/0.2lb	2kg/4lb	1/3000
CX300	300Kg/600Lb	0.1kg/0.2lb	2kg/4b	1/3000

# HIWEIGH

WWW.HIWEIGH.COM  
TEL:0086-21-24281404

HIWEIGH@GMAIL.COM  
FAX:0086-21-24281385  
Add: No.2278, ZHAOTAI ROAD, SHANGHAI, CHINA