

Scales & Balances
Básculas & Balanzas
Waagen
Systèmes de Pesage

Bilancia Pesa
Весы
秤 & 天平
はかり



the year of 2011



CRANE SCALES & hanging scales

HIWEIGH®



WWW.HIWEIGH.COM

About HIWEIGH

HIWEIGH, a manufacturer and supplier specialized in weighing products, we have devoted ourself to the development and improvement of weighing technology and system for more than 10 years, who also take the swiftest result of the weighing process and the highest precision of weighing result as their target for every weighing solution they supply!

With this catalogue, you can find all solutions for crane and hanging scales from 20-200000Kg capacity, from aluminum housing, steel housing to stainless steel housing for all industrial and others demand....

Enjoy your weighing!

Address: No.2278,Zhaotai Road, Minhang District, Shanghai
Tel: 0086-21-24281404 Fax: 0086-21-24281385
Email: hiweigh@gmail.com hiweigh@hotmail.com
www.hiweigh.com



HIWEIGH®

Contact Us

Symbols

-  Totalization/Accumulation
-  4-20mA Analogue Output
-  Tare Function
-  A.C/D.C Power Supply
-  Red LED Display
-  Green LED Display
-  LCD Display
-  Multi-units Exchange
-  Counting Function
-  Checkweigh Function
-  Below Weighing
-  Wash Down
-  Built-In Battery
-  RS-232 Interface
-  GLP/ISO Print Output
-  Clock
-  Percentage Weigh
-  Internal Calibration
-  External Calibration
-  Dynamic/Animal Weigh
-  Backlight

Since 1998

Legal Notice



is the registered brand logo by the owner of Hiweigh Technologies Limited and Shanghai Scales & Accessories factory, it's the main brand for their industrial and commercial scales and other weighing products, it insists of two weights instead of letter l in the HI + WEIGH which shows clearly what products we are making, for any inquiry or distribution of the HIWEIGH products, please send the mail to hiweigh@gmail.com or hiweigh@hotmail.com



is another registered brand logo by the owner of Hiweigh Technologies Limited and Shanghai Scales & Accessories factory, it's the main brand for their medical and other small scales, it insists of JOY+SCALE which shows the enjoyment brings to customers with our scales, for any inquiry or distribution of the JOYSCALE products, please send the enquiry to hiweigh@gmail.com or hiweigh@hotmail.com

OEM
ODM

OEM/ODM cooperation is welcome.

For other brands used in our catalogues or website (www.hiweigh.com), such as Bluetooth (Brand, Logo, Picture) all belong to Bluetooth SIG, we believe that our supplier of our bluetooth device for our indicators and scales already got authorities from Bluetooth SIG as they are the legal company for this device in China, Acrobat Reader (Brand, Logo, Picture and all others) all belong to Adobe Systems Incorporated. For other concerning brand, if not specified marks, it belongs to the owner or the company who registered or owned it completely, if any info in our catalogue or website not correct or wrong, please send mail to hiweigh@gmail.com for modifying or deleting, thanks.



All copyrights of photos and pictures and other info in the website (www.hiweigh.com) and catalogues (this and all others) are belong to Hiweigh Technologies Limited and Shanghai Scales & Accessories Factory completely, if any copy or use of the photos or other info in the website or catalogue, it must got our authorities by sending the mail to hiweigh@gmail.com or hiweigh@hotmail.com or call us at 0086-21-24281404 or fax to 0086-21-24281385, any using or coping without our agree will bring the lawsuit possibility or other risks



For all other legal consultancy or question, please send the email to our lawyer: Mr.Zhu at zhch316@126.com or call at 0086-13962683621 with the office address at Rm601, Building C, No. 177, Middle Changjiang Road, Kushan, Jiangsu.

Since 1998

CONTENTS

S.S Crane Scale CSI

1

Crane Scale CSE

2

S.S Crane Scale CSIB

3

Crane Scale CSB

4

Crane Scale CSBH

5

Crane Scale CSW

6

Crane Scale CSZ

7

Hanging Scale CX

8

Hanging Price Scale PCH

9

www.hiweigh.com

Tel:0086-21-24281404

Email: hiweigh@gmail.com hiweigh@hotmail.com
Fax:0086-21-24281385
Add: No.2278, Zhaotai Road, Minhang District,
Shanghai 201112, China

CRANE SCALE

50...1000Kg

Functions

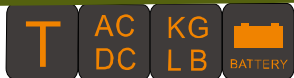
◆**Multi-function operation:**

- Tare, Zero, Auto zero tracking, Total, Hold
- Overload warning & record
- Remote control operation
- bright LED display
- Kg/Lb unit exchange

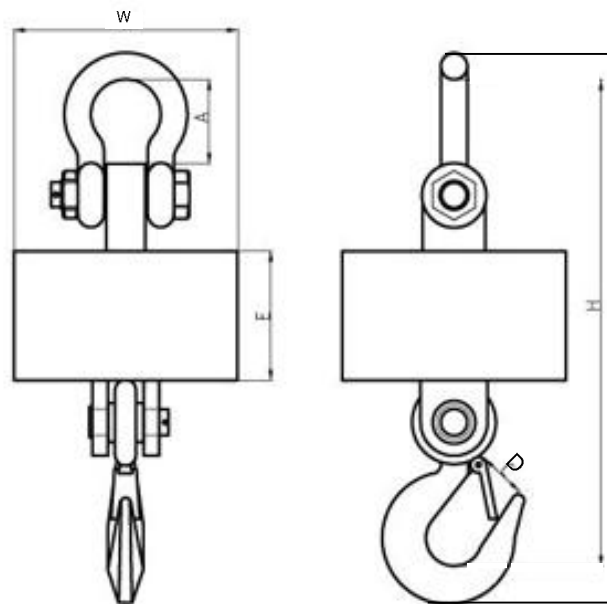
◆**User-friendly design:**

- Stainless steel housing
- high-tension shackle and hook
- RS232 optional
- Wireless display optional
- Bluetooth optional

Dimensions



CSI



MODEL	A(mm)	D(mm)	E(mm)	W(mm)	H(mm)
CSI100-CSI600	43	25	100	140	360
CSI1000	48	28	100	140	370

MODEL	CAPACITY (Kg)	DIMSION(Kg)	Min WEIGH (Kg)	RESOLUTION
CSI100	100	0.05	1	1/2000
CSI200	200	0.1	2	1/2000
CSI300	300	0.1	2	1/3000
CSI500	500	0.2	4	1/2500
CSI600	600	0.2	4	1/3000
CSI1000	1000	0.5	10	1/2000

CRANE SCALE

50...1000Kg

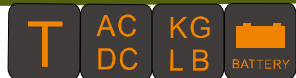
Functions

◆**Multi-function operation:**

- Tare, Zero, Auto zero tracking, Total, Hold
- Overload warning & record
- Remote control operation
- Big bright LED display
- Kg/Lb/N unit exchange

◆**User-friendly design:**

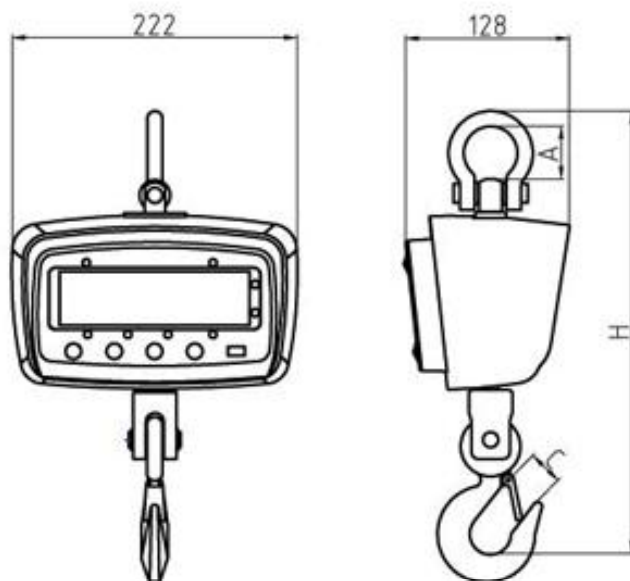
- Aluminum housing
- high-tension shackle and hook
- Automatic power off



CSE



Dimensions



MODEL	A(mm)	C(mm)	H(mm)	N.W.(Kg)
CSE50-300	33	24	320	4
CSE500/1000	41	25	345	4.2

MODEL	CAPACITY (Kg)	DMSION(g)	MinWEIGH(Kg)	RESOLUTION
CSE50	50	20	0.4	1/2500
CSE100	100	50	1	1/2000
CSE200	200	100	2	1/2000
CSE300	300	100	2	1/3000
CSE500	500	200	4	1/2500
CSE1000	1000	500	10	1/2000

CRANE SCALE

1..5Ton

Functions

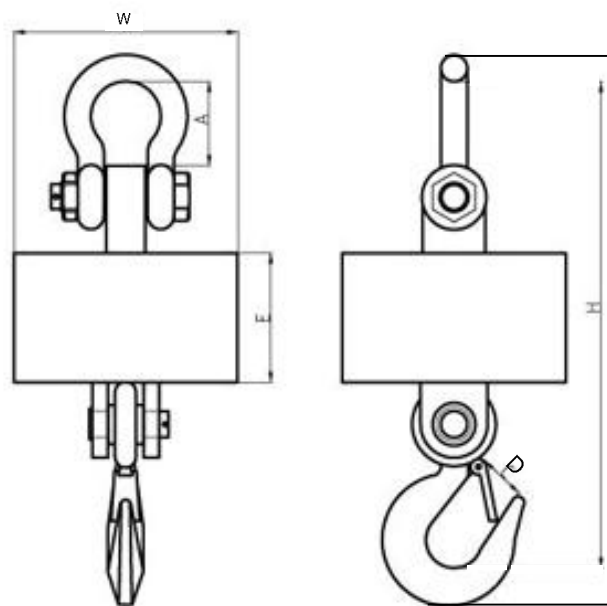
◆**Multi-function operation:**

- Tare, Zero, Auto zero tracking, Total, Hold
- Overload warning & record
- Remote control operation
- bright LED display
- Kg/Lb unit exchange

◆**User-friendly design:**

- Stainless steel housing
- high-tension shackle and hook
- RS232 optional
- Wireless display optional
- Bluetooth optional

Dimensions



MODEL	A(mm)	D(mm)	E(mm)	W(mm)	H(mm)
CSIB1000	71	41	125	175	420
CSIB2000	71	41	125	175	420
CSIB3000	71	41	125	175	420
CSIB5000	84	53	125	175	475

MODEL	CAPACITY (Kg)	DIMSION(Kg)	Min WEIGH (Kg)	RESOLUTION
CSIB1000	1000	0.5	10	1/2000
CSIB2000	2000	1	20	1/2000
CSIB3000	3000	1	20	1/3000
CSIB5000	5000	2	40	1/2500

CRANE SCALE

1...20Ton

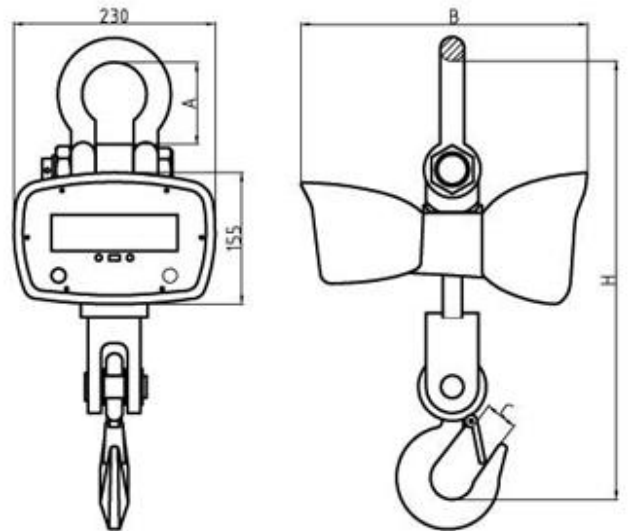
Functions

- ◆ Multi-weighing units: Kg, lb, N are selectable, generally kg is the default unit.
- ◆ Multi-function operation: Tare, Zero, Auto zero tracking, Total, Hold; Overload warning and record, Operate through remote controller, etc
- ◆ User-friendly design: Cast aluminum housing for maximum protection; Large red 5 digit LED display (digit height 30mm); Battery Operated with low battery indication; Automatic turn off, power-saving function.

CSB



Dimensions



Capacity	A(mm)	B(mm)	C(mm)	H(mm)	N.W.(Kg)
1000Kg	67	350	33	450	13.5
2000Kg	95	350	33	450	13.5
3000Kg	113	350	40	510	17
5000Kg	122	365	50	625	26
10000Kg	144	365	60	760	40
15000Kg	166	365	70	835	55
20000Kg	188	365	85	900	68

MODEL	CAPACITY (Kg)	DMSION(Kg)	Min WEIGH (Kg)	RESOLUTION
CSB1000	1000	0.5	10	1/2000
CSB2000	2000	1	20	1/2000
CSB3000	3000	1	20	1/3000
CSB5000	5000	2	40	1/2500
CSB10000	10000	5	100	1/2000
CSB15000	15000	5	100	1/3000
CSB20000	20000	10	200	1/2000

HIWEIGH

WWW.HIWEIGH.COM
TEL:0086-21-24281404

HIWEIGH@GMAIL.COM
FAX:0086-21-24281385

Add: No.2278, ZHAOTAI ROAD, SHANGHAI, CHINA

CRANE SCALE

1...15Ton

Functions



CSBH



◆ **Special design:**
Used under high temperature environment

◆ **Multi-weighing units:**

Kg, lb, N are selectable, generally kg is the default unit.

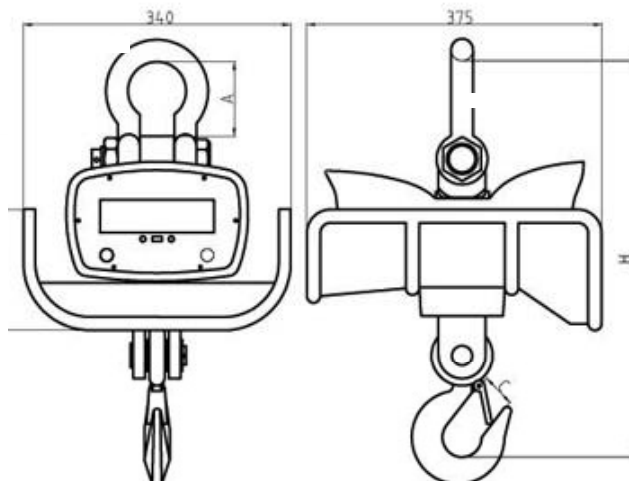
◆ **Multi-function operation:**

Tare, Zero, Auto zero tracking, Total, Hold;
Overload warning and record,
Operate through remote controller, etc

◆ **User-friendly design:**

Cast aluminum housing for maximum protection;
Large red 5 digit LED display (digit height 30mm);
Battery Operated with low battery indication;
Automatic turn off , power-saving function.

Dimensions



Capacity	A(mm)	C(mm)	H(mm)	N.W.(Kg)
1000Kg	67	33	450	18.5
2000Kg	95	40	510	22
3000Kg	113	50	625	31
5000Kg	122	60	710	43
10000Kg	144	70	835	60
15000Kg	166	85	900	73

Min Distance Between Scales and Temperature

1000°C	1200°C	1400°C	1600°C
1.6m	1.8m	2.0m	2.2m

MODEL	CAPACITY (Kg)	DMSION(Kg)	Min WEIGH (Kg)	RESOLUTION
CSBH1000	1000	0.5	10	1/2000
CSBH2000	2000	1	20	1/2000
CSBH3000	3000	1	20	1/3000
CSBH5000	5000	2	40	1/2500
CSBH10000	10000	5	100	1/2000
CSBH15000	15000	5	100	1/3000

CRANE SCALE

1...200Ton

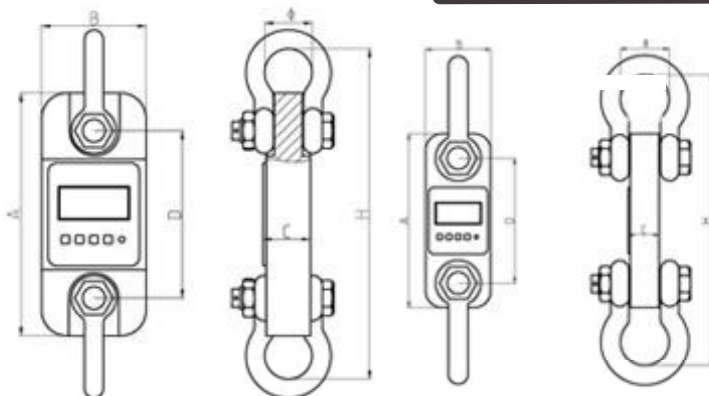
Functions

- ◆ Rugged construction
- ◆ Accuracy: 0.05% of capacity
- ◆ LCD display with backlight
- ◆ Digits are 1 inch high for easy distant viewing
- ◆ Two user programmable Set-Points for weight limitation warning
- ◆ Long battery life on 3 standard "LR6(AA)" size alkaline batteries
 - ◆ Multi-units: Kg/Ton/Lb/KN
- ◆ Infrared Remote control easier to calibration (with password)
 - ◆ Infrared Remote control with many functions: "ZERO", "TARE", "CLEAR", "PEAK", "ACCUMULATE", "HOLD", "Unit Change", "Voltage Check" and "Power OFF"
 - ◆ 4 local mechanical keys: "ON/OFF", "ZERO", "PEAK" and "Unit Change". □
 - ◆ low battery warning.
 - ◆ RF wireless palm indicator.

CSD



Dimensions



Cap: 1-5t

Cap: 10-200t

CAPACITY	A(mm)	B(mm)	C(mm)	D(mm)	φ(mm)	H(mm)	Material
1000/2000Kg	245	112	37	190	43	335	Aluminum
3000Kg	260	123	37	195	51	365	Aluminum
5000Kg	285	123	57	210	58	405	Aluminum
10000Kg	320	120	57	230	92	535	Alloy Steel
20000Kg	420	138	82	280	146	740	Alloy Steel
30000Kg	420	138	82	280	146	740	Alloy Steel
50000Kg	465	150	104	305	184	930	Alloy Steel
100000Kg	570	190	132	366	229	1230	Alloy Steel
200000Kg	725	265	183	440	280	1380	Alloy Steel

MODEL	CAPACITY (Kg)	DMSION(Kg)	Min WEIGH (Kg)	RESOLUTION
CSD1000	1000	0.5	10	1/2000
CSD2000	2000	1	20	1/2000
CSD3000	3000	1	20	1/3000
CSD5000	5000	2	40	1/2500
CSD10000	10000	5	100	1/2000
CSD20000	20000	10	200	1/2000
CSD30000	30000	10	200	1/3000
CSD50000	50000	20	400	1/2500
CSD100000	100000	50	1000	1/2000
CSD200000	200000	100	2000	1/2000

Functions

◆Multi-function operation:

Tare, Zero, Auto zero tracking, Total, Hold
Overload warning & record, Remote control operation

◆User-friendly design:

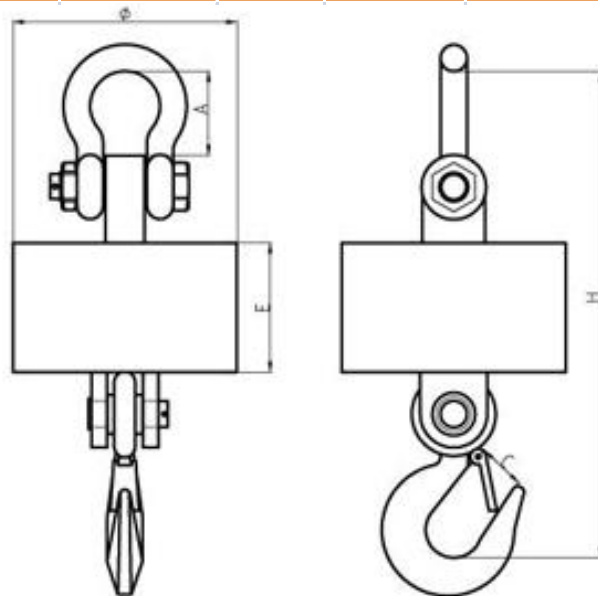
Steel housing scale body, high-tension shackle and hook
Weighing data save protection in case of power off
keyboard calibration, easy to operate
Power saving mode
Gathering up to data records of 2000 weighing
Micro-printer built-in
RS232 optional

Models

MODEL	Max. (kg)	Min. (kg)	Division(kg)	Display counts (n)
CSW-1	1000	10	0.5	2000
CSW-2	2000	20	1	2000
CSW-3	3000	20	1	3000
CSW-5	5000	40	2	2500
CSW-10	10000	100	5	2000
CSW-15	15000	100	5	3000
CSW-20	20000	200	10	2000
CSW-30	30000	200	10	3000

Specifications

Standard	According to OIML class III
Display	LCD with backlight
Zero Range	4% F.S.
Tare Range	20% F.S.
Stable Time	?10seconds
Overload Indication	100% F.S. + 9e
Max. Safety Load	125% F.S.
Ultimate Load	400% F.S.
Battery Life	?50 hours
Scale Battery Type	6V/4Ah rechargeable battery
Indicator Battery Type	7.2V/2.8Ah rechargeable battery
Operating Temp	-10°C ~ +40°C
Operating Humidity	?85% RH under 20°C
Operation Distance	200m in wide space
Frequency	450MhHe



Model	A(mm)	C(mm)	Φ(mm)	E(mm)	H(mm)	N.W.(kg)
CSW-1	67	35	270	160	450	22.5
CSW-2	67	35	270	160	450	22.5
CSW-3	95	45	270	160	510	26
CSW-5	113	55	325	185	625	39
CSW-10	122	65	325	185	710	50
CSW-15	144	70	325	185	835	69
CSW-20	166	85	325	185	900	82
CSW-30	295	125	375	220	1140	164

CRANE SCALE

30/50Ton

Functions

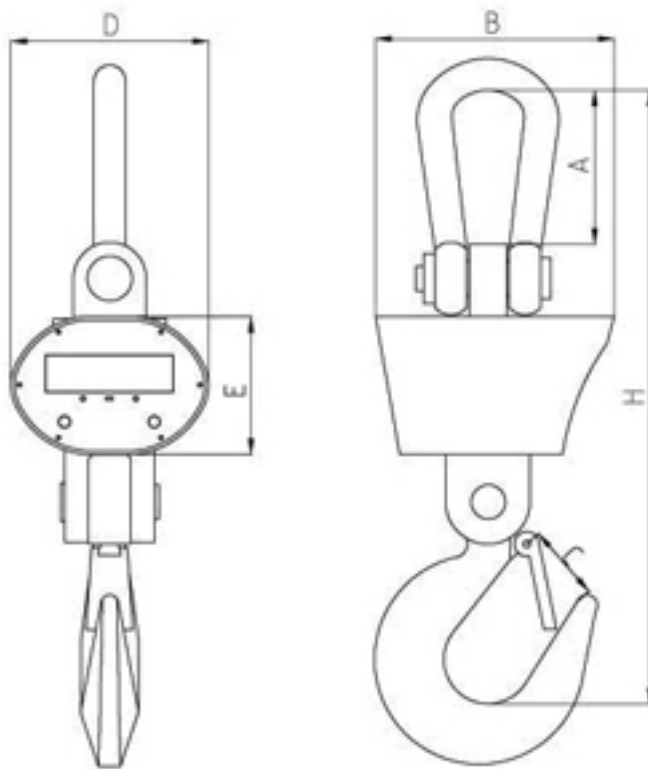
- ◆Multi-weighing units:
Kg, lb, N are selectable, generally kg is the default unit.
- ◆Multi-function operation:
Tare, Zero, Auto zero tracking, Total, Hold;
Overload warning and record,
Operate through remote controller, etc
- ◆User-friendly design:
Cast alloy housing for maximum protection;
Large red 5 digit LED display (digit height 30mm);
Battery Operated with low battery indication;
Automatic turn off , power-saving function.



CSZ



Dimensions



Capacity	A(mm)	B(mm)	C(mm)	D(mm)	E(mm)	H(mm)	N.W.(Kg)
30000Kg	295	460	125	380	260	1140	165
50000Kg	360	660	180	490	340	1680	480

MODEL	CAPACITY (Kg)	DIVISION(Kg)	Min WEIGH (Kg)	RESOLUTION
CSZ30000	30000	10	200	3000
CSZ50000	50000	20	400	2500

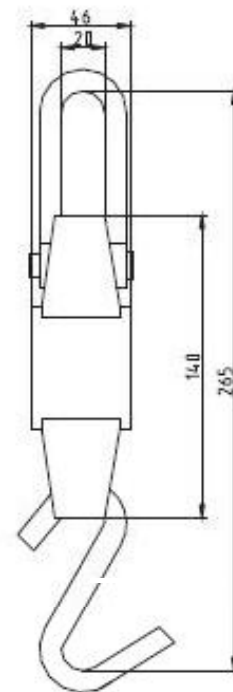
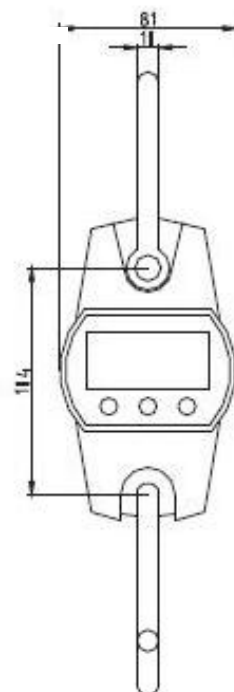
CRANE SCALE

30...300Kg

Functions

- ◆ Die-casting aluminum enclosure
 - ◆ 20mm LCD display
 - ◆ Stainless steel shackle
 - ◆ Stainless steel hook
 - ◆ AA x 3 Battery
- ◆ Water-proof panel button
 - ◆ Various color available
 - ◆ Capacity: 30kg-300kg
 - ◆ Zero/Tare
 - ◆ Hold
- ◆ Low Voltage Auto Power-off
 - ◆ Overload Alarm
 - ◆ kg/lb/N Conversion

Dimensions



MODEL	CAPACITY (Kg)	DIMSION(Kg)	Min WEIGH (Kg)	RESOLUTION
CX30	30Kg/60Lb	0.01kg/0.02lb	0.2kg/0.4lb	1/3000
CX60	60Kg/120Lb	0.02kg/0.05lb	0.4kg/0.8lb	1/3000
CX120	120Kg/240Lb	0.05kg/0.1lb	1kg/2lb	1/2400
CX200	200Kg/400Lb	0.1kg/0.2lb	2kg/4lb	1/3000
CX300	300Kg/600Lb	0.1kg/0.2lb	2kg/4b	1/3000

HIWEIGH

WWW.HIWEIGH.COM
 TEL:0086-21-24281404

HIWEIGH@GMAIL.COM
 FAX:0086-21-24281385
 Add: No.2278, ZHAOTAI ROAD, SHANGHAI, CHINA

CRANE SCALE



PCH



15...30Kg

Functions

- ◆Capacity: 15Kgx5g, 30Kgx10g
 - ◆With big hanging pan
 - ◆Three LED display
- ◆Built-in rechargeable battery
 - ◆With mounting accessories
 - ◆N.W.: 3Kg

MODEL	CAPACITY (Kg)	DMSION(Kg)	RESOLUTION
PCH15	15Kg	5g	1/3000
PCH30	30Kg	10g	1/3000



WWW.HIWEIGH.COM
TEL:0086-21-24281404

HIWEIGH@GMAIL.COM
FAX:0086-21-24281385
Add: No.2278, ZHAOTAI ROAD, SHANGHAI, CHINA

Scales & Balances
Básculas & Balanzas
Waagen
Systèmes de Pesage

Bilancia Pesa
Весы
秤 & 天平
はかり



HIWEIGH®
HIWEIGH

Thanks for reading our catalogue, for more products, please log on to
www.hiweigh.com

www.hiweigh.com hiweigh@gmail.com hiweigh@hotmail.com