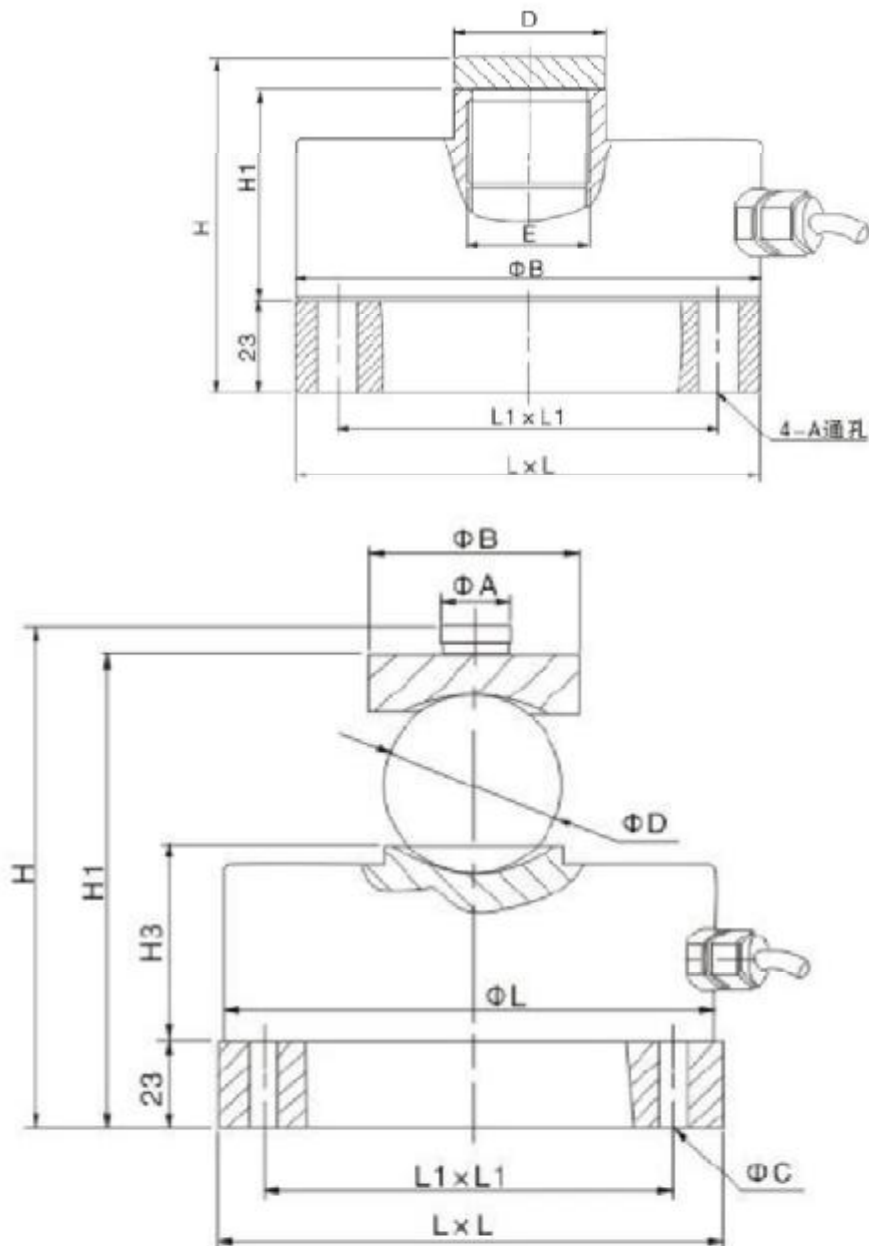




Rated Load	0.5t,1t,2t,3t,5t,10t,20t,30t,40t,50t,60t
Rated Output	2.0000±0.001MV/V
Total Error	±0.02%F.S
Creep(30minutes)	±0.02%F.S
Recommended Excitation Voltage	5V~18V(AC or DC)
Maximum Excitation Voltage	24V(AC or DC)
Zero Balance	±1%F.S
Input Impedance	775±5Ω
Output Impedance	700±2Ω
Insulation Impedance	≥5000MΩ
Safe Overload	150%F.S
Ultimate Overload	200%F.S
Operating Temperature Range	(- ~+ )°C
Compensated Temperature Range	(- ~+ )°C
Temperature Effect On Load	±0.02%F.S/10°C
Temperature Effect On Zero	±0.02%F.S/10°C
Construction	Alloy Steel
Protection Class	IP68&IP67
Citation	GB/T7551-2008/OIML R60
Mode of Connection	Input+ :Red Input- :Black Output+ :Green Output- :White

LFT Drawing



外形尺寸 Capacity and Size

单位: mm

Cap(t)	H	H1	H3	ΦL	ΦA	ΦB	ΦC	ΦD	L	L1
0.5-3	90.2	79.2	34.8	Φ104.7	Φ20	Φ32	Φ11	25.4	130	103.8
5-10	129.1	121.1	53.8	Φ120.7	Φ20	Φ49	Φ11	38.1	120.7	98.8
15-30	143.1	135.1	57.2	Φ138	Φ20	Φ59	Φ11	50.8	142	116
40-60	154.8	143.8	58	Φ180	Φ30	Φ63	Φ13.5	50.8	180	147.1