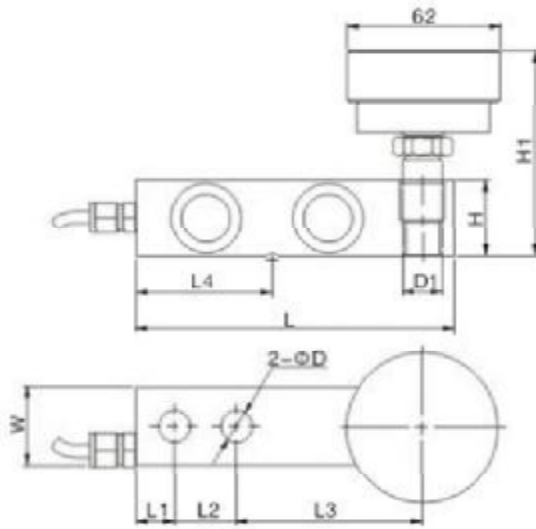
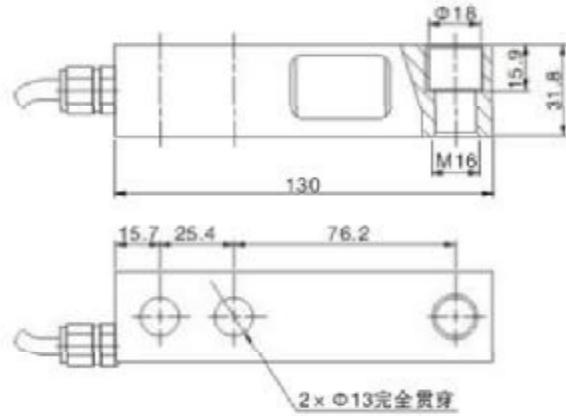




| | |
|--------------------------------|--|
| Rated Load | 0.5t,1t,2t,3t,5t, 10t |
| Rated Output | 2.0000±0.001MV/V |
| Total Error | ±0.02%F.S |
| Creep(30minutes) | ±0.02%F.S |
| Recommended Excitation Voltage | 5V~12V(AC or DC) |
| Maximum Excitation Voltage | 15V(AC or DC) |
| Zero Balance | ±1%F.S |
| Input Impedance | 380±5Ω |
| Output Impedance | 350±2Ω |
| Insulation Impedance | ≥5000MΩ |
| Safe Overload | 150%F.S |
| Ultimate Overload | 200%F.S |
| Operating Temperature Range | (- ~+)℃ |
| Compensated Temperature Range | (- ~+)℃ |
| Temperature Effect On Load | ±0.02%F.S/10℃ |
| Temperature Effect On Zero | ±0.02%F.S/10℃ |
| Construction | Stainless Steel |
| Protection Class | IP68&IP67 |
| Citation | GB/T7551-2008/OIML R60 |
| Mode of Connection | Input+:Red Input-:Black Output+:Green Output-:White |



SQC-A(0.5t,1t,2t,3t,5t,10t.)



SQC-A(100kg,150kg,200kg,250kg,300kg)

外形尺寸 Capacity and Size

单位: mm

| Cap (t) | L | L1 | L2 | L3 | L4 | H | H1 | D | D1 | W |
|---------|-------|------|------|------|------|------|---------|----|-----------|------|
| 0.5-3 | 130 | 15.7 | 25.4 | 76.2 | 66.5 | 31.8 | 86-98 | 13 | M12/M16 | 38.1 |
| 5 | 171.5 | 19.1 | 38.1 | 95.3 | 81.5 | 38.1 | 90-100 | 20 | M18 x 1.5 | 38.1 |
| 10 | 225.6 | 25.4 | 50.8 | 124 | 110 | 50.8 | 110-120 | 26 | M24 x 2 | 50.8 |