

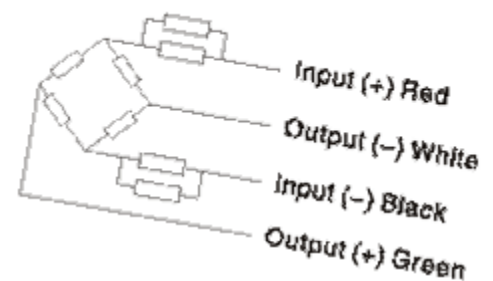
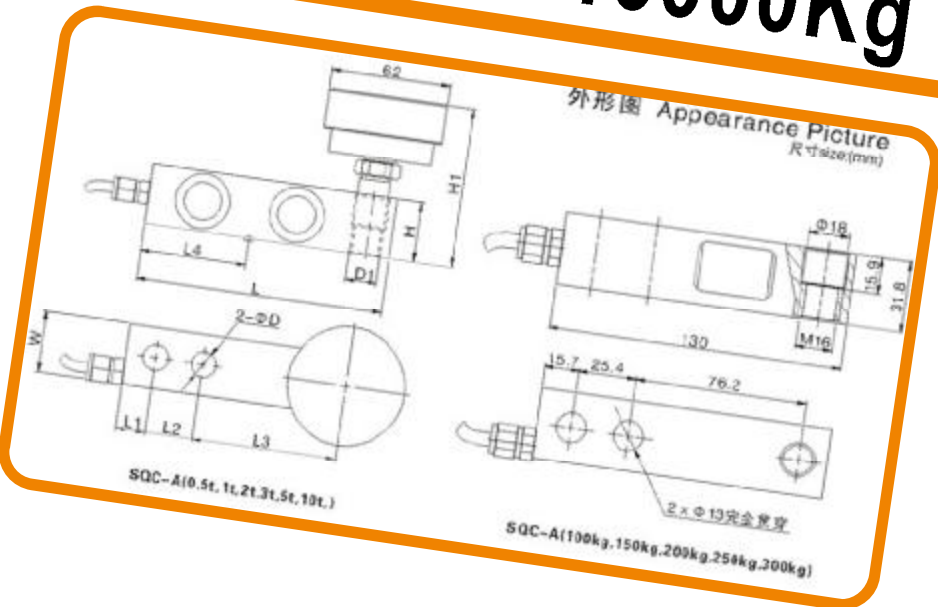
**SQC**



- ◆ Capacities 100-10000kg.
- ◆ Alloy steel construction
- ◆ High accuracy..
- ◆ For floor scale, platform scale weighbridge, weighing hopper packing machine, etc.

**Picture 100...10000Kg**

**Specifications 1**



CAPACITY	L	L1	L2	L3	L4
0.5-3T	130	15.7	25.4	76.2	55.5
5T	171.5	19.1	38.1	95.3	80
10T	225.6	25.4	50.8	124	110

CAPACITY	H	H1	D	D1	W
0.5-3T	31.8	85-98	13	M12/M16	31.8
5T	31.8	100-110	20	M18x1.5	38.1
10T	50.8	110-120	26	M24x2	50.8

Rate d Load	100Kg,150kg,200Kb,250Kg,300Kg, 0.5t,1t,2t,3t,5t,10t
Rated Output	2.0000±0.001M V/V
Total Error	±0.02%F.S
Creep(30m inutes)	±0.02%F.S
Recom mended Excitation Voltage	5V ~ 12V(AC or DC)
Maximum Excitation Voltage	15V(AC or DC)
Zero Balance	±1%F.S
Input Impedance	380±5Ω
Output Impedance	350±2Ω
Insulation Impedance	?5000M Ω
Safe Overload	150%F.S
Ultimate Overload	200%F.S
Operating Temperature Range	(-30 ~ +70)°C
Com pensated Tem perature Range	(-20 ~ +60)°C
Tem perature Effect On Load	±0.02%F.S/10°C
Tem perature Effect On Zero	±0.02%F.S/10°C
Construction	Alloy Steel
Protection Class	IP68&IP67
Citation	GB/T7551-2008/OIML R60

