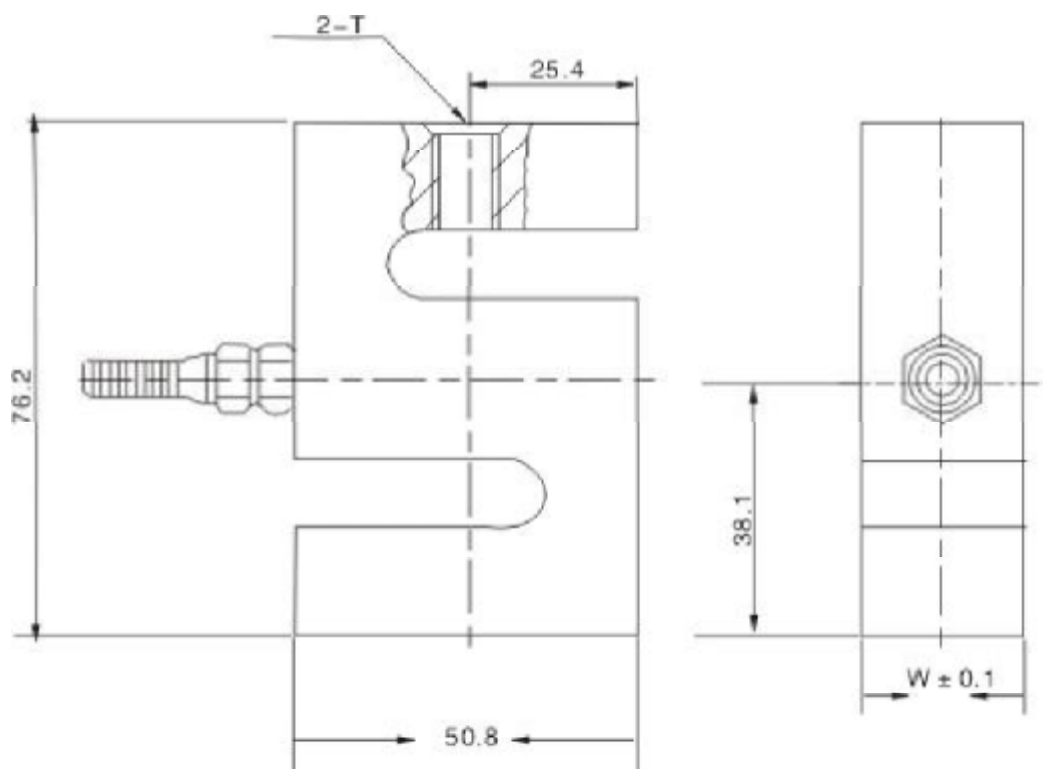
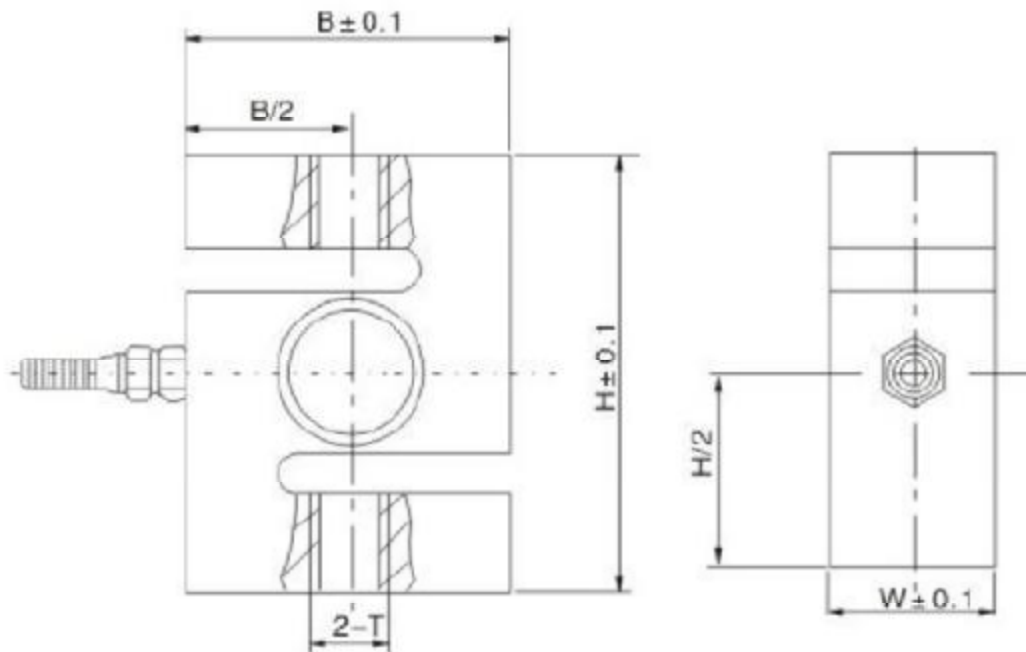


TS



Rated Load	50Kg,100Kg,150Kg,200Kg,250Kg,300Kg, 500Kg,1000 Kg
Rated Output	2.0000±0.001MV/V
Total Error	±0.02%F.S
Creep(30minutes)	±0.02%F.S
Recommended Excitation Voltage	5V~12V(AC or DC)
Maximum Excitation Voltage	15V(AC or DC)
Zero Balance	±1%F.S
Input Impedance	380±5Ω
Output Impedance	350±2Ω
Insulation Impedance	≥5000MΩ
Safe Overload	150%F.S
Ultimate Overload	200%F.S
Operating Temperature Range	(-30~+70)°C
Compensated Temperature Range	(-20~+60)°C
Temperature Effect On Load	±0.02%F.S/10°C
Temperature Effect On Zero	±0.02%F.S/10°C
Construction	Alloy Steel
Protection Class	IP68&IP67
Citation	GB/T7551-2008/OIML R60
Mode of Connection	Input+:Red Input -:Black Output+:Green Output -:White



外形尺寸 Capacity and Size

单位: mm

Cap(t)	H	B	W	T
0.5, 1, 2, 3	86	64	28	M16
5	106	80	36	M18×1.5
10	178	130	51	M30×2
15, 20	190	160	60	M39×2

Technical Parameters

额定载荷 Rated Load	0.5t,1t,2t,3t,5t,10t,15t,20t
额定输出 Rated Output	2.0000±0.001MV/V
综合误差 Total Error	±0.02%F.S
蠕变 Creep(30minutes)	±0.02%F.S
推荐工作电压 Recommended Excitation Voltage	5V~12V(DC)
最大工作电压 Maximum Excitation Voltage	15V(DC)
零点平衡 Zero Balance	±1%F.S
输入阻抗 Input Impedance	380±5Ω
输出阻抗 Output Impedance	350±2Ω
绝缘阻抗 Insulation Impedance	≥5000MΩ



HIWEIGH TECHNOLOGIES LIMITED

安全过载率 Safe Overload	150%F.S
极限过载率 Ultimate Overload	200%F.S
工作温度范围 Operating Temperature Range	(- ~+)°C
温度补偿范围 Compensated Temperature Range	(- ~+)°C
输出温度影响 Temperature Effect On Load	±0.02%F.S/10°C
零点温度影响 Temperature Effect On Zero	±0.02%F.S/10°C
材质 Construction	合金钢 Alloy Steel
防护等级 Protection Class	IP68&IP67
引用标准 Citation	GB/T7551-2008/OIML R60
接线方式 Mode of Connection	Input+:Red Input-:Black Output+:Green Output-:White