

Scales & Balances
Básculas & Balanzas
Waagen
Systèmes de Pesage

Bilancia Pesa
Весы
秤 & 天平
はかり



the year of 2012

Pallet Scales

HIWEIGH®



2012

www.hiweigh.com

About HIWEIGH

HIWEIGH, a manufacturer and supplier specialized in weighing products, we have devoted ourself to the development and improvement of weighing technology and system for more than 10 years, who also take the swiftest result of the weighing process and the highest precision of weighing result as their target for every weighing solution they supply!

With this catalogue, you can find solutions for pallet and other moving weighing scales, till 3000Kg capacity, with or without printer for choice...

Enjoy your weighing!

Address: No.2278,Zhaotai Road, Minhang District, Shanghai
Tel: 0086-21-24281404 Fax: 0086-21-24281385
Email: hiweigh@gmail.com hiweigh@hotmail.com
www.hiweigh.com



Symbols

Contact Us

-  Totalization/Accumulation
-  4-20mA Analogue Output
-  Tare Function
-  A.C/D.C Power Supply
-  Red LED Display
-  Green LED Display
-  LCD Display
-  Multi-units Exchange
-  Counting Function
-  Checkweigh Function
-  Below Weighing
-  Wash Down
-  Built-In Battery
-  RS-232 Interface
-  GLP/ISO Print Output
-  Clock
-  Percentage Weigh
-  Internal Calibration
-  External Calibration
-  Dynamic/Animal Weigh
-  Backlight

Since 1998

Legal Notice

HIWEIGH[®]

is the registered brand logo by the owner of Hiweigh Technologies Limited and Shanghai Scales & Accessories factory, it's the main brand for their industrial and commercial scales and other weighing products, it insists of two weights instead of letter l in the HI + WEIGH which shows clearly what products we are making, for any inquiry or distribution of the HIWEIGH products, please send the mail to hiweigh@gmail.com or hiweigh@hotmail.com



JoyScale[®]

is another registered brand logo by the owner of Hiweigh Technologies Limited and Shanghai Scales & Accessories factory, it's the main brand for their medical and other small scales, it insists of JOY+SCALE which shows the enjoyment brings to customers with our scales, for any inquiry or distribution of the JOYSCALE products, please send the enquiry to hiweigh@gmail.com or hiweigh@hotmail.com

OEM
ODM

OEM/ODM cooperation is welcome.

For other brands used in our catalogues or website (www.hiweigh.com), such as Bluetooth (Brand, Logo, Picture) all belong to Bluetooth SIG, we believe that our supplier of our bluetooth device for our indicators and scales already got authorities from Bluetooth SIG as they are the legal company for this device in China, Acrobat Reader (Brand, Logo, Picture and all others) all belong to Adobe Systems Incorporated. For other concerning brand, if not specified marks, it belongs to the owner or the company who registered or owned it completely, if any info in our catalogue or website not correct or wrong, please send mail to hiweigh@gmail.com for modifying or deleting, thanks.

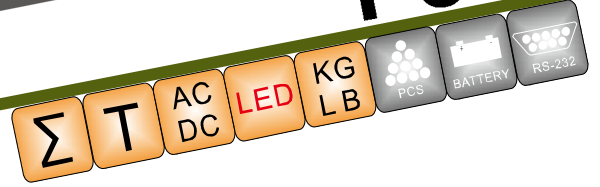


All copyrights of photos and pictures and other info in the website (www.hiweigh.com) and catalogues (this and all others) are belong to Hiweigh Technologies Limited and Shanghai Scales & Accessories Factory completely, if any copy or use of the photos or other info in the website or catalogue, it must got our authorities by sending the mail to hiweigh@gmail.com or hiweigh@hotmail.com or call us at 0086-21-24281404 or fax to 0086-21-24281385, any using or coping without our agree will bring the lawsuit possibility or other risks

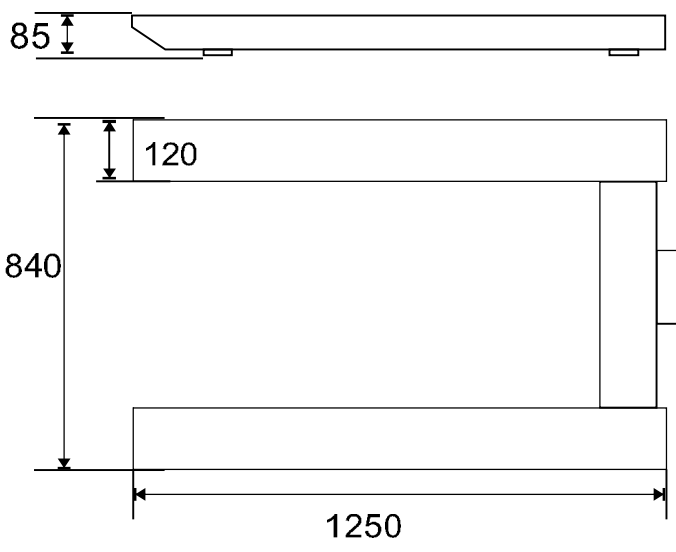


For all other legal consultancy or question, please send the email to our lawyer: Mr.Zhu at zhch316@126.com or call at 0086-13962683621 with the office address at Rm601, Building C, No. 177, Middle Changjiang Road, Kushan, Jiangsu.

Since 1998



Sizes



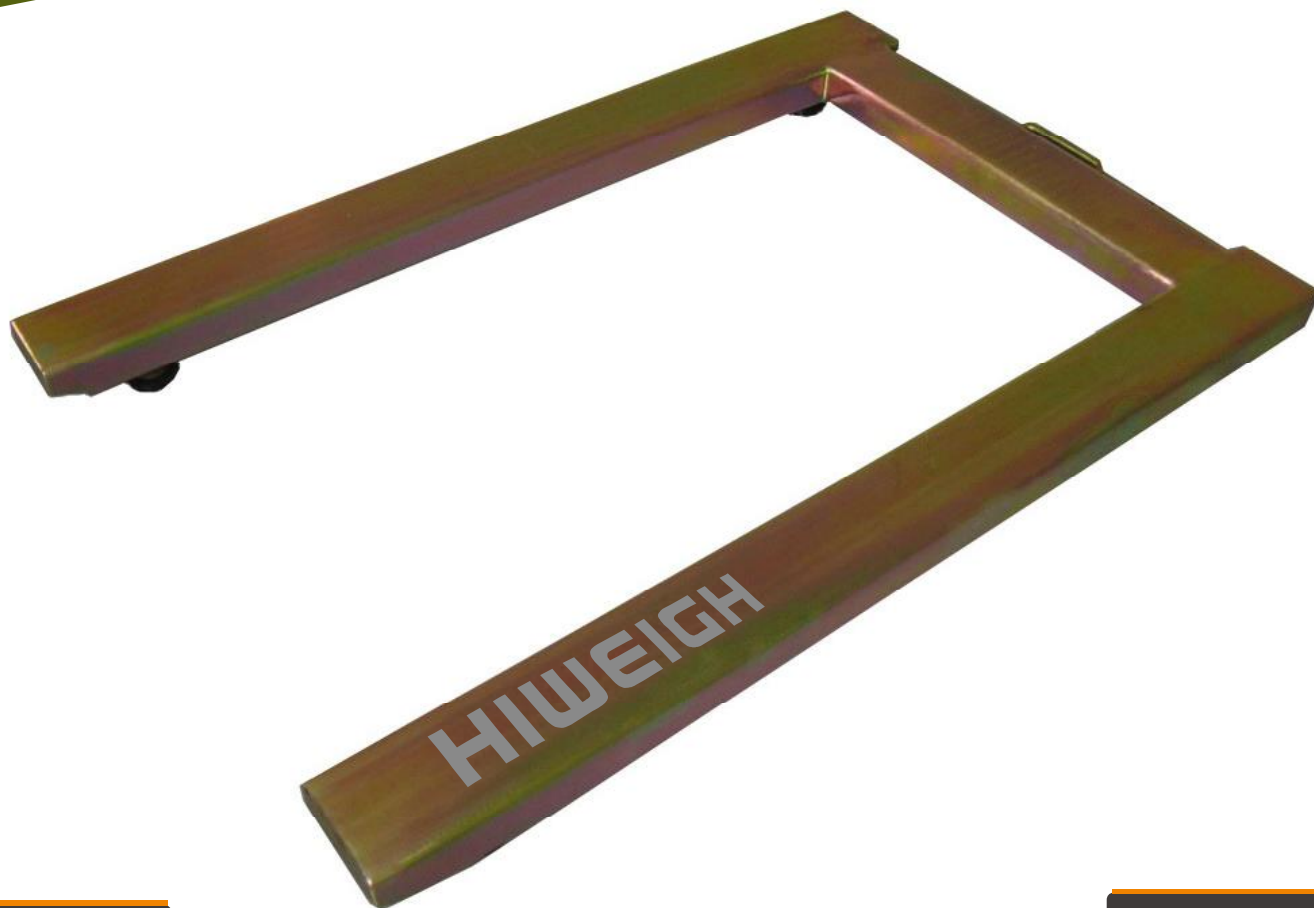
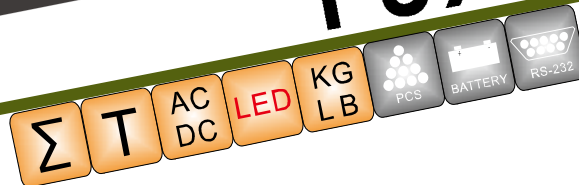
Specifications

- ◆ Easy-movable design with wheels on top
- ◆ 4 OIML/NTEP approved H8C load cells
- ◆ Capacity: 500Kg-3000Kg
- ◆ Size: 1250x840x85mm
- ◆ Material: Carbon steel
- ◆ Powder coating process

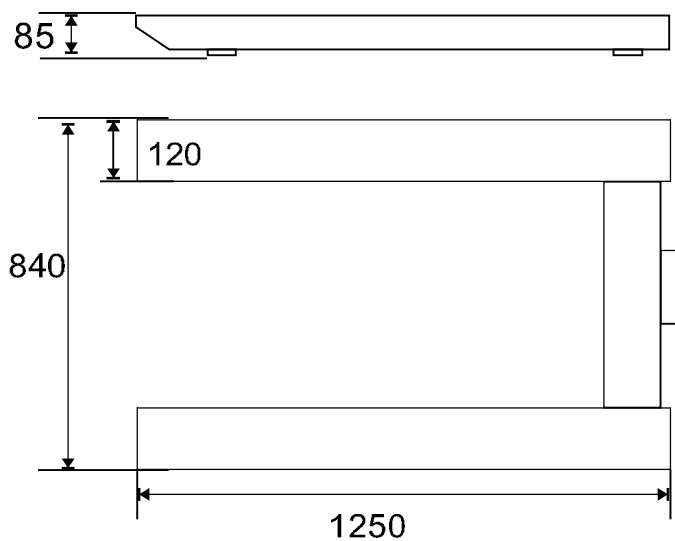


www.hiweigh.com Email: hiweigh@gmail.com hiweigh@hotmail.com
 Tel:0086-21-24281404 Fax:0086-21-24281385
 Add: No.2278, Zhaotai Road, Minhang District, Shanghai 201112, China

HIWEIGH



Sizes



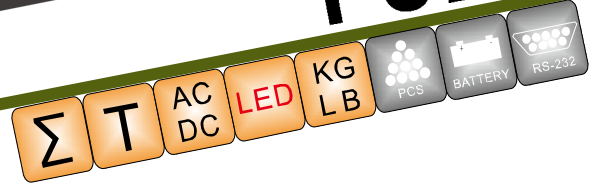
Specifications

- ◆ Easy-movable design with wheels on top
- ◆ 4 OIML/NTEP approved H8C load cells
 - ◆ Capacity: 500Kg-3000Kg
 - ◆ Size: 1250x840x85mm
 - ◆ Material: Carbon steel
- ◆ Colorful galvanized process

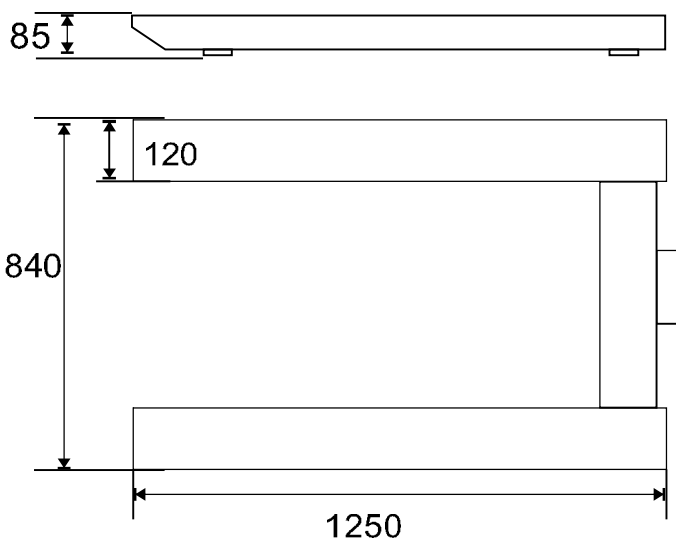


HIWEIGH

www.hiweigh.com Email: hiweigh@gmail.com hiweigh@hotmail.com
 Tel: 0086-21-24281404 Fax: 0086-21-24281385
 Add: No. 2278, Zhaotai Road, Minhang District, Shanghai 201112, China



Sizes



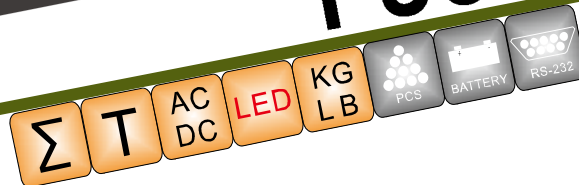
Specifications

- ◆ Easy-movable design with wheels on top
- ◆ 4 OIML/NTEP approved H8C load cells
- ◆ Capacity: 500Kg-3000Kg
- ◆ Size: 1250x840x85mm
- ◆ Material: Carbon steel
- ◆ Galvanized process

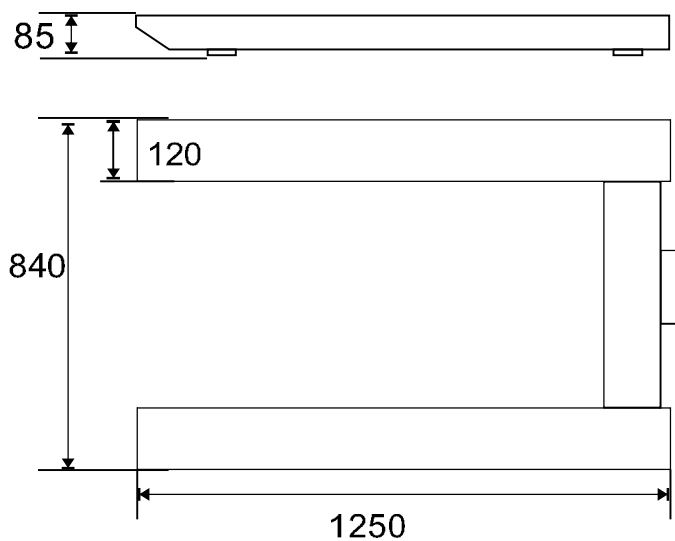


www.hiweigh.com Email: hiweigh@gmail.com hiweigh@hotmail.com
 Tel: 0086-21-24281404 Fax: 0086-21-24281385
 Add: No. 2278, Zhaotai Road, Minhang District, Shanghai 201112, China

HIWEIGH



Sizes



Specifications

- ◆ Easy-movable design with wheels on top
- ◆ 4 OIML/NTEP approved s.s B8D load cells
 - ◆ Capacity: 500Kg-3000Kg
 - ◆ Size: 1250x840x85mm
 - ◆ Material: Stainless Steel
 - ◆ Polishing process



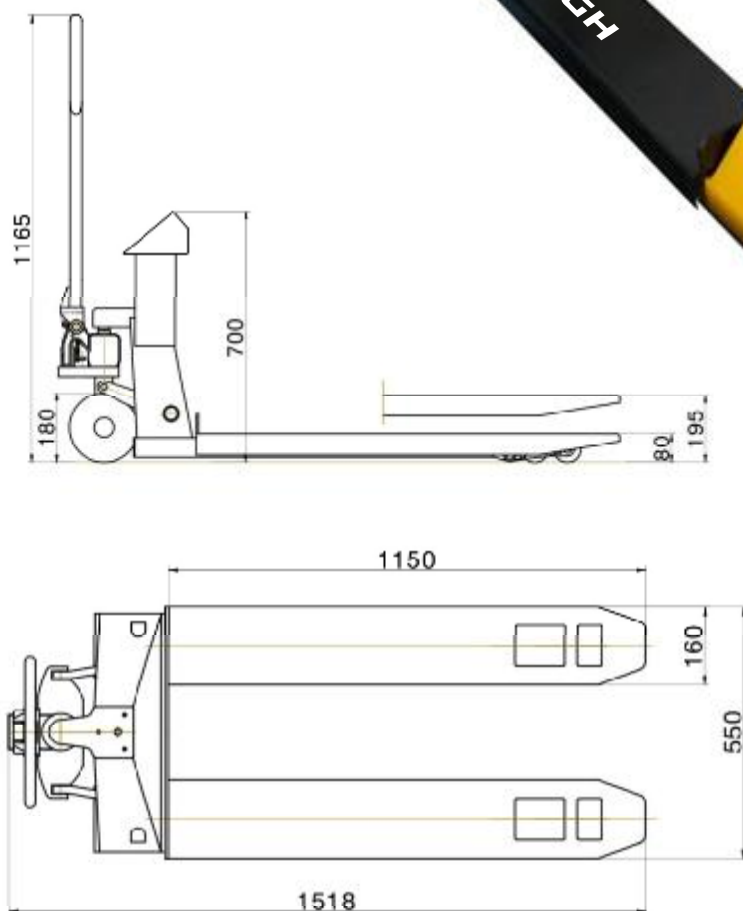
HIWEIGH

www.hiweigh.com Email: hiweigh@gmail.com hiweigh@hotmail.com
 Tel: 0086-21-24281404 Fax: 0086-21-24281385
 Add: No. 2278, Zhaotai Road, Minhang District, Shanghai 201112, China

HIWEIGH



Sizes



Specifications

- ◆ Capacity: 2000Kg/3000Kg
Division: 1Kg
- ◆ 20 working hours with full charge
- ◆ Low battery indication and automatic power-off
- ◆ Accuracy can be increased ten times
- ◆ Display: Red LED
- ◆ Programmable zero tracking
- ◆ Programmable digital filter
- ◆ Selectable kg and lb unit
- ◆ RS232 serial interface for printer or computer
- ◆ Optional RS485 serial interface
- ◆ Animal weighing
- ◆ Hold function
- ◆ Counting function

HIWEIGH

www.hiweigh.com Email: hiweigh@gmail.com hiweigh@hotmail.com
 Tel:0086-21-24281404 Fax:0086-21-24281385
 Add: No.2278, Zhaotai Road, Minhang District,
 Shanghai 201112, China

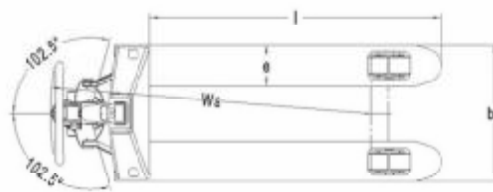
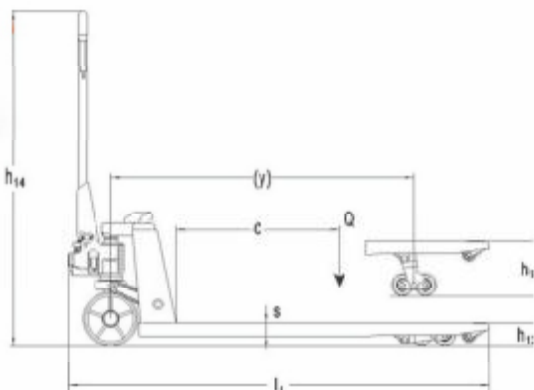
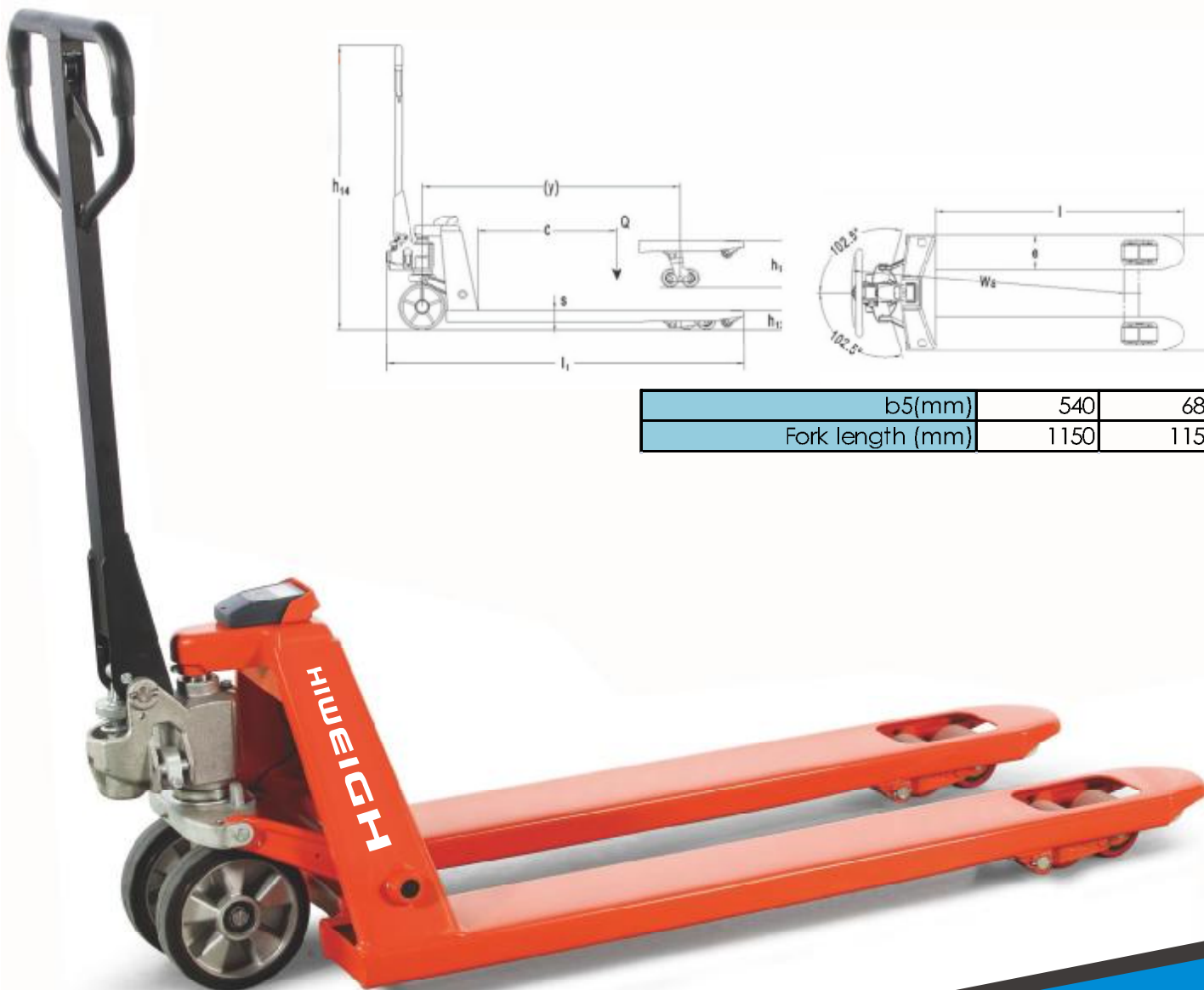
Specifications



Only 2 keys needed for operation
New: Totalization function!

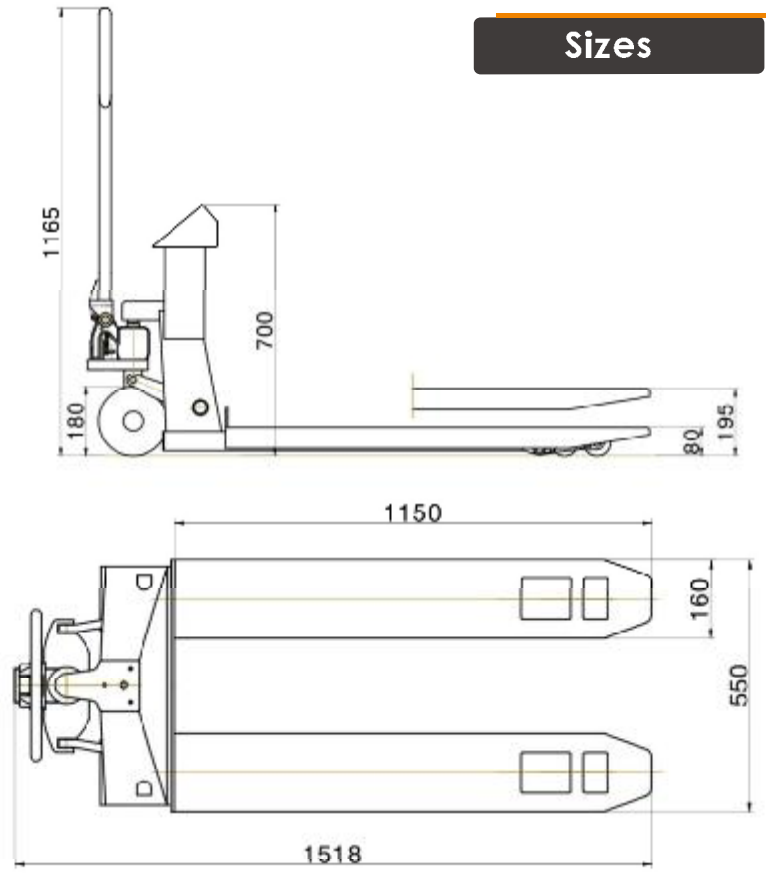
Indicator powered by two AA batteries (2x1.2-1.5V), which are located behind a sealed cover

- ◆ Capacity: 2000Kg
- Division: 5Kg
- ◆ 2xAA 1.5V batteries
- ◆ Zero
- ◆ Total weight with accumulation
- ◆ Display: LCD
- ◆ With lifting height display
- ◆ IP65 protection
- ◆ Long working time of 3000 weighing operation with a set of battery



b5(mm)	540	680
Fork length (mm)	1150	1150

Sizes



Specifications

- ◆ Capacity: 2000Kg/3000Kg
- ◆ Division: 1Kg
- ◆ S.S Structure and S.S Indicator
- ◆ 20 working hours with full charge
- ◆ Low battery indication and automatic power-off
- ◆ Accuracy can be increased ten times
- ◆ Display: Green LED
- ◆ Programmable zero tracking
- ◆ Programmable digital filter
- ◆ Selectable kg and lb unit
- ◆ RS232 serial interface for printer or computer
- ◆ Optional RS485 serial interface
- ◆ Animal weighing
- ◆ Hold function
- ◆ Counting function

Scales & Balances
Básculas & Balanzas
Waagen
Systèmes de Pesage

Bilancia Pesa
Весы
秤 & 天平
はかり



HIWEIGH®
HIWEIGH

Thanks for reading our catalogue, for more products, please log on to
www.hiweigh.com

www.hiweigh.com hiweigh@gmail.com hiweigh@hotmail.com