



Value Each Gram A professional weighing products manufacturer and supplier

Fax: +86-21-58273591

Tel: +86-21-58250298

info@hiweigh.com

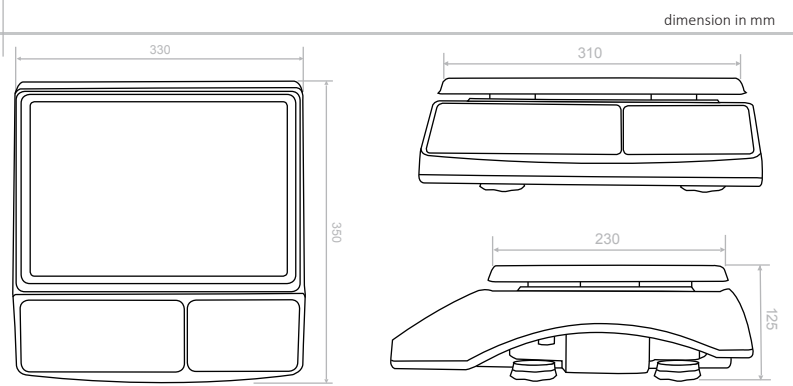
www.hiweigh.com

Features

- > Rugged ABS housing
- > Big s.s pan 310 x 225mm
- > LCD display with backlit
- > Rechargeable 6V battery
- > Waterlevel for balance adjust
- > Aluminum load cell supporter
- > High accuracy of 1/30,000
- > g/lb units exchange
- > Weight accumulation
- > Recall of memory weight
- > Auto power off setup
- > Optional RS232 interface

TechnicalData

Power 110V or 220V AC Rechargeable Battery: 6V4Ah	Display LCD with backlight	Operating Temperature -10°C - 40°C
Pan Dimensions 310 x 230mm	Units g lb	Approval CE
Capacity 3 6 15 30Kg	Shortcut U.W. N/A	RS232 Optional
Division 0.1 0.2 0.5 1.0g	Sampling Speed 20times/second	
Net Weight 3.86Kg	Non-linearity ≤0.01%F.S.	



Models

Part No.	100832	100833	100834	100835
Models	CSF3	CSF6	CSF15	CSF30
U.P.(USD)	\$156.00	\$156.00	\$156.00	\$156.00
Capacity	3kg	6kg	15kg	30kg
Division	0.1g	0.2g	0.5g	1g
Pack Size	74.5 x 38 x 40.5cm (5pcs)			
Weight	23.4kg (5pcs)			