

SPECIFICATIONS

Capacity: 100-2000kg

Class: OIML M1-2

FEATURES

- high quality finished steel block
- Optional ISO17025 certificate



IWF

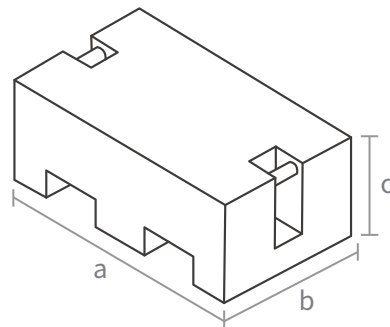
HIWEIGH
VALUE EACH GRAM

MODELS

Model	Part No.	Capacity	Division
IWF100	110116	100kg	OIML M1-2
IWF200	110117	200kg	OIML M1-2
IWF500	110118	500kg	OIML M1-2
IWF1000	110119	1000kg	OIML M1-2
IWF2000	110120	2000kg	OIML M1-2

DIMENSION / mm

Capacity	a	b	c
100kg	400	218	210
200kg	500	287	250
500kg	820	408	250
1000kg	860	513	350
2000kg	1000	650	450



+86-512-67317873 | www.hiweigh.com | info@hiweigh.com