

SPECIFICATIONS

Capacity 10-50t	Sensitivity 2.0±0.01mV/V	Creep (30 Min) ±0.016-0.023% F.S.	Input Resistance 700±10Ω
Material Stainless steel - M36i Alloy steel - M36D	Overload Limitation 150% F.S.	Zero Output ±1.5% Emax	Recommended Excitation 5-12VDC
Protection IP68	Output Resistance 700±5Ω	Temperature Effect Zero ±0.011-0.017% F.S. / 10°C	Operating Temperature -35-70°C
Accuracy C3	Insulation Resistance ≥5000mΩ (100VDC)	Temperature Effect Sensitivity ±0.015-0.023% F.S. / 10°C	

FEATURES

- M36i-OIML
- Large capacity up to 50t
- Analog output Stainless steel M36i
- Digital output alloy steel M36D
(Optional stainless steel material)
- Suitable for weighbridge and other weighing systems
- Interchangeable with below models: HMB* C16A,
Mettler Toledo* 0782(30t) , Revere*ASC | ASC2, Zemic* BM14G, Flintec* RC3



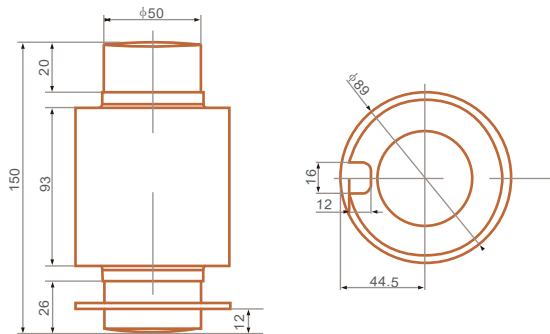
MODELS

Part No.	120247	120248	120249	120250
M36i	20t	30t	40t	50t
Part No.	120251	120252	120253	120254
M36D	10t	20t	30t	40t
Class	C3			
IP	IP68			

M36i

DIMENSION / mm

Weight: 7kg



M36D

DIMENSION / mm

Weight: 7kg

