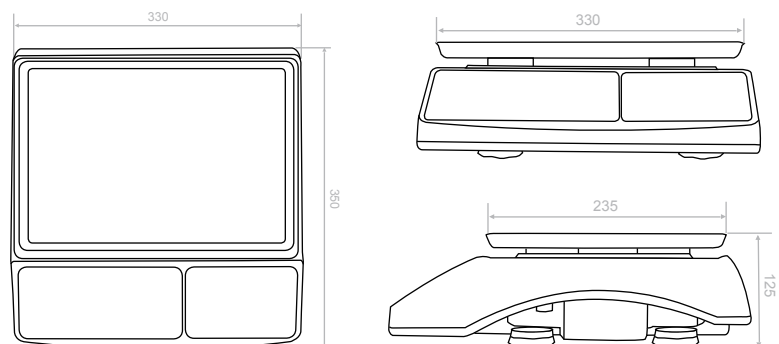




TechnicalData

Power 110V or 220V AC Rechargeable Battery: 6V4Ah	Display LCD with backlit	PLU 3
Pan Dimensions 330x 235mm	Units Kg lb	Approval CE
Capacity 15/30Kg	Sampling Speed 40 times/second	
Display Resolution 5/10g	Operating Temperature 0°C - 40°C ≤80% non-condensing	
Net Weight 3.8Kg 4.4kg	Storage Temperature -25°C - 55°C ≤80% non-condensing	

dimension in mm



Features

- Fashionable design <
- Rugged ABS housing <
- Rechargeable 6V4Ah battery <
- Transparent dust-cover included <
- Aluminum load cell supporter <
- Four adjusting rubber feet <
- PC4 with rear display <
- PC4H with tower display <
- Fruit pan 310x225mm <
- S.S pan optional <
- Bright LCD with backlight <
- High quality load cell <
- Dual capacity of 15/30kg <
- Dual division of 5/10g <
- Three PLU memories <
- Zero/Tare function <
- Change function <
- Accumulation <

Models

Part No.	100902	100903
Models	PC430	PC430H
U.P.(USD)	\$112.00	\$140.00
Capacity	15/30kg	15/30kg
Division	5/10g	5/10g
Pole	No	Yes
Pack Size	76 x 42 x 39cm (5pcs)	76 x 42 x 39cm (5pcs)
Weight	23.6kg (5pcs)	26.5kg (5pcs)