



Specifications - IW

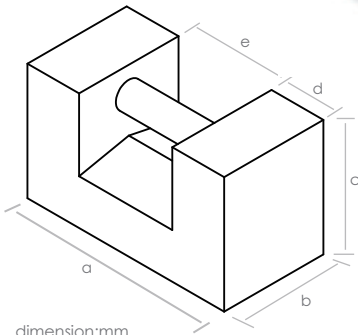
Class: M1  
Cast **iron** material  
Capacity: 1kg-20kg  
5-20kg of OIML standard shape  
Good process of smooth surface  
Black color, other color available

Specifications - IWS

Class: M1  
Cast **steel** material  
Capacity: 5kg-20kg  
OIML standard shape  
Smooth surface finish  
Blue color, other color available

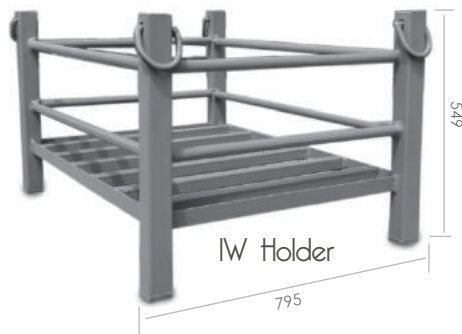
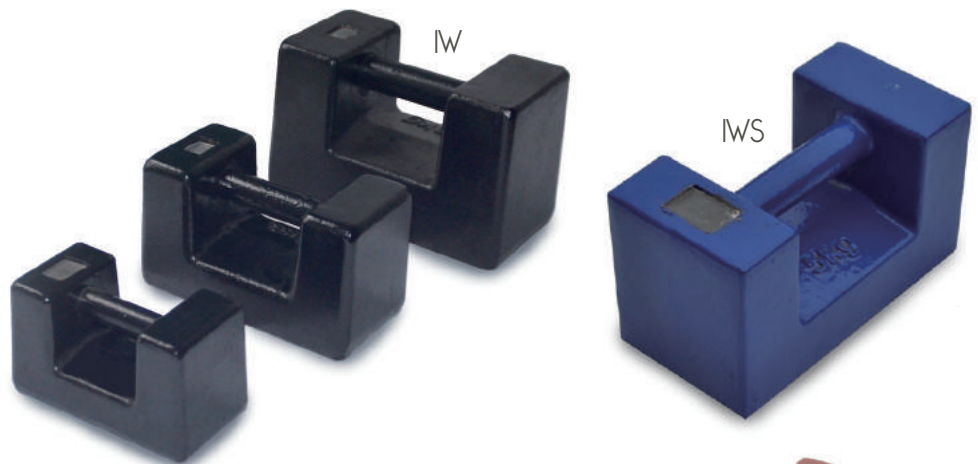
Accessories

Optional 500kg crate



dimension:mm

Capacity	a	b	c	d	e
1kg	79	55	47	-	-
2kg	100	68	58	-	-
5kg	150	78	87	36	78
10kg	192	100	110	46	100
20kg	232	118	140	61	110



Models

Part No.	130177	130178	130179	130180	130181	130182	130183	130184	130185
Models	IWM101	IWM102	IWM105	IWM110	IWM120	IWS105	IWS110	IWS120	IW HOLDER
U.P.(USD)	\$20.00	\$28.00	\$52.00	\$84.00	\$140.00	\$56.00	\$88.00	\$152.00	\$720.00
Capacity	1kg	2kg	5kg	10kg	20kg	5kg	10kg	20kg	500kg
Class	M1								

www.hiweigh.com info@hiweigh.com Tel:+86-21-58250298 Fax:+86-21-58273591