



DATA TRANSMITTERS **RBLUE**

User Manual

v.201811



HiWEIGH
Weighing system & solution

An ISO9001 registered company
@No.335 Haishen, Xingxin Road, Huinan Town, Pudong District, Shanghai 201301, China
www.hiweigh.com All rights reserved, specifications subject to change without notice

Value Each Gram

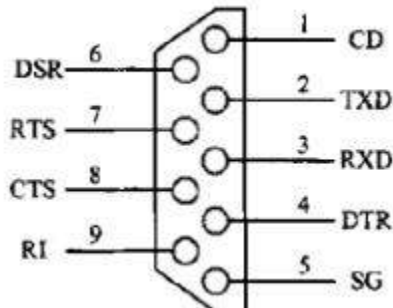
Rblue User Manual

Specifications

Standard:	Bluetooth SIG v2.0,
Protocol:	Bluetooth serial port profile(SPP)
Baud Rate:	4800,9600,19200,38400,57600,115200bps
Modem:	2.4G (FHSS)
Distance:	10m
Transmitting power:	Class2_3dBm, Class1_20dBm
Receiving sensitivity:	Class2_-80dBm, Class1_-86dBm
Working current:	Class2_8/25mA, Class1_55/60mA
Size/Weight:	78x34x16mm/29g(no battery)

Operations

1. Connect the DB9 connector with scale, indicator or other devices with RS232 interface.



2. Configure the parameters of serial output correctly (for continuous or command output).
3. Switch on the Bluetooth Adapter and search the Bluetooth device and pair it with passcode of 0000 (if not work, please try 1234).
4. Run the virtual COM debug and check the data receiving, if you don't have such a software, you can search on Google by Virtual COM Port or Virtual Serial Port, or you can consult us: <https://www.hiweigh.com/wp-content/uploads/2017/08/Hyperterminal.zip>
5. Run the BlueSPP in Android device and debug with it: https://play.google.com/store/apps/details?id=com.shenyaocn.android.BlueSPP&hl=en_US



v.201811

User Manual

RBLUE



Weighing system & solution

An ISO9001 registered company
@No.335 Haishen, Xingxin Road, Huinan Town, Pudong District, Shanghai 201301, China
www.hiweigh.com All rights reserved, specifications subject to change without notice