



PLATFORM SCALE TZ
User Manual

VALUE EACH GRAM
HiWEIGH

Having such advantages as automatically indicating the measuring readings, stable function, exact indicated values, easy operation and convenient maintenance, TZ model platform spring dial scale is applicable to many fields like industrial enterprise, commerce, communication and transportation, etc. The series of products are with legible scale, easy read and rapid measurement.

Points for attention during assembly, operation & storage

- (1) Be careful of disassembly when opening the box. Check whether the inside parts are in good condition or not.
- (2) Link the lower end of link lever 4 with long-lever synthetic cutter 5. screw tightly upright column 3 and base 6 with bolt.
- (3) Before operation, put the scale on the flat floor and keep it stable.
- (4) Dial the blinding handle 2 on the start position, adjust the regulating nut 19, then press the bearing plate 10, operate until adjusting the finger to zero position.
- (5) During operation, lay the articles on the center of bearing plate as gently as possible and should not exceed the 25% of its rated weighting capacity.

Transportation and storage

- (1) Lay gently and carefully and prohibit throw during transportation.
- (2) When disused or removed, the binding handle 2 should be dialed on the close position.
- (3) Prevent from sunlight and rain. Be sure not to be near acid, alkali and damp.

After-sales service:

Warranty period is half a year. Within the warranty period, that is within half a year after buying the product, under the condition that customer has complied with the points for Attention during Assembly, Operation & Storage, our factory promises to implement three guarantees e.g. being in charge of repair or exchange without charge owing to the product's quality. (Not including the improper transportation or operation or fail out of the warranty period.)

Technical data

Basic data: shown in table 1

Weighting capacity	Max allowable error(indicate with division value d)	
	Newly-made & after-repair	During use
0~50d	± 0.5d	± 1.0d
>50d~200d	± 1.0d	± 2.0d
>200d~Max. Weighing capacity	± 1.5d	± 3.0d

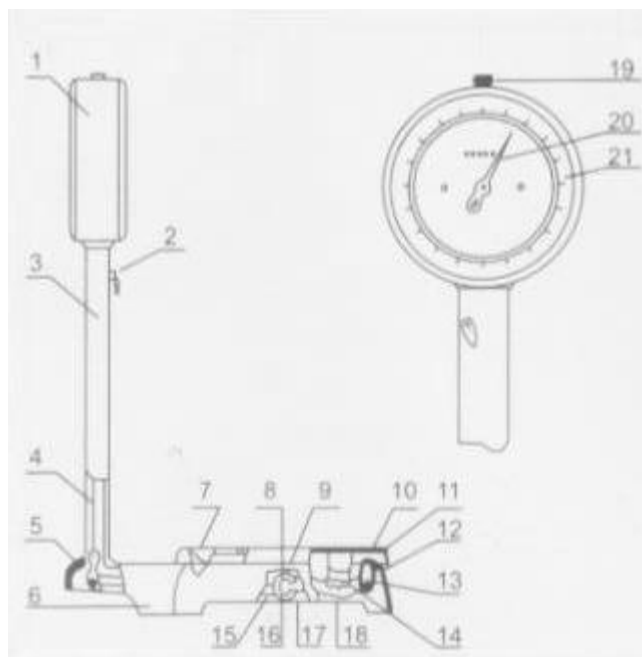
Division value d list

Type	Division value d		Max. Weighing capacity	
	g	lb	kg	lb
TZ100	200	0.5 lb	100	220
TZ150	500	1 lb	150	330
TZ-500	1000	2 lb	500	1100

Dimension (L*W*H cm), WT(kg)

Type	Size of platform	Overall size	Size of base packing box	Size of dial packing box	N.W.	G.W.
TZ100	40*30	60*31*99	95*36*26		24	27
TZ150	40*30	60*31*99	95*36*26		24	27
TZ500	60*45	91*54.5*123	93*53*19	113*39*14	60	65

PARTS LIST:



- 1.gauge head 2.binding handle 3.upright column
 4.link lever 5.long-lever syntheic cutter 6.base
 7.front pin 8.long-lever cutter 9.middle flying rings
 10.bearing plate 11.pivot axis 12.lever pivot cutter
 13.quadrangular flying rings 14.cutter mat
 15.short lever 16.short-lever cutter 17.long lever
 18.lever key cutter 19.regulating nut 20.finger
 21.division dial

VALUE EACH GRAM
HiWEIGH